

Kit Contents

	Description	Part No	Pcs
Front			
1	EDC bracket front	25654-17	2
2	Screw M10x16	05404-18	2
3	M6 lock nut	00430-02	2
4	Screw M6x22	01046-05	2
Rear			
1	EDC platform	06222-12	2
2	Screw M4x16	05404-19	2
3.1	EDC bracket rear right	25654-18	1
3.2	EDC bracket rear left	25654-19	1
4	Screw M5x8	00439-24	2
5	Screw M6x22	01046-05	2
6	M6 lock nut	00430-02	2

👁 Note!

Please note that there can be small differences between your product and the images in these instructions.

👁 Note!

Before you install this product, check the kit contents. If anything is missing, please contact an Öhlins dealer.

⚠ Warning!

Before you install this product, read the Öhlins Owner's manual. This product is an important part of the vehicle and the vehicle stability.

EDC Bracket kit for BMW TTX G8x

35021-05

Mounting Instructions

MOUNTING INSTRUCTIONS

⚠ Warning!

We strongly recommend to let an Öhlins dealer install this product.

⚠ Warning!

If you work with a lifted vehicle, make sure that it is safely supported to prevent it from tipping over.

Front

1

Install the EDC bracket to the shock absorber according to Fig 1: Fit the EDC bracket (1) to the shock absorber ARB bracket and secure it with the M10 screw (2). Pay attention to the orientation of the brackets depending if it's the right- or left hand side. See Fig 2.

2

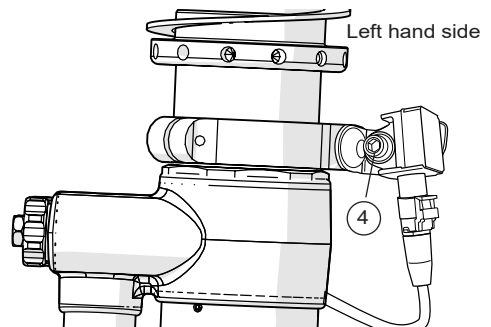
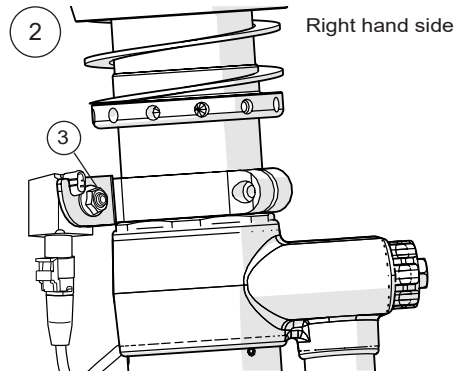
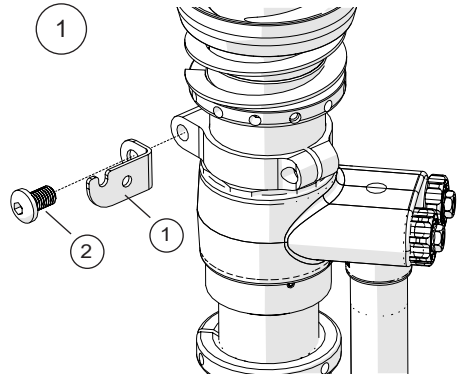
Install the accelerometer to the bracket according to Fig 2. Use the supplied M6 screw (3) and lock nut (4) to secure the accelerometer to the bracket.

3

Connect the cable to the accelerometer.

👁 Note!

Make sure the bracket is positioned so that nothing will interfere during steering, suspension travel etc.



MOUNTING INSTRUCTIONS

⚠ Warning!

We strongly recommend to let an Öhlins dealer install this product.

⚠ Warning!

If you work with a lifted vehicle, make sure that it is safely supported to prevent it from tipping over.

Rear

1

Fit the EDC platform (1) to the rear dampers by threading it onto the outer tube according to Fig 3: Fit the screw (2) and tighten it slightly at this point.

👁 Note!

Fitting the EDC platform to the shock absorber has to be done before fitting the rear top mount and installing the shock absorber to the car.

2

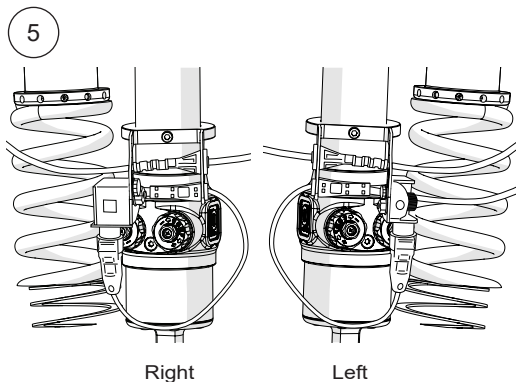
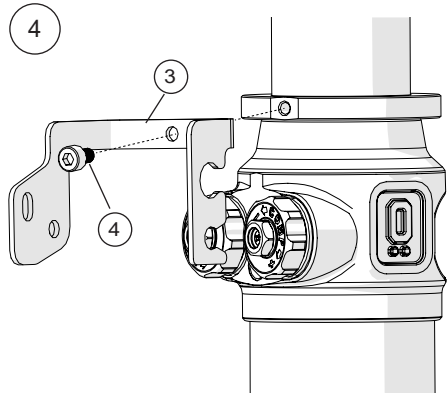
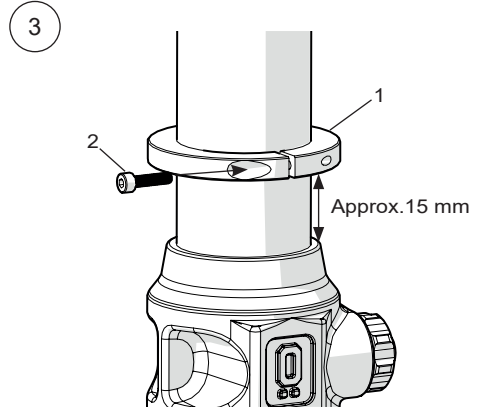
Attach the rear EDC bracket (3) and the M5 screw (4) to the EDC platform according to fig 4. Please note that the brackets are different depending on if it's fitted on left- or right hand side.

3

Install the accelerometer to the bracket according to Fig 5: Use the supplied M6 screw (5) and the lock nut (6) to secure the accelerometer to the bracket. Position/rotate the bracket/platform according to the figure. Make sure no surrounding parts interferes with the bracket. Tighten the M4 screw (2) to lock the EDC platform (1) in position.

4

Connect the cable to the accelerometer and attach it to the EDC bracket in the lower cable slot. Attach the ABS cable in the upper cable slot.



Öhlins products are subject to continuous improvement and development, therefore, although these instructions include the most up-to-date information available at the time of printing, minor updates may occur.

To find the latest information contact an Öhlins distributor. Please contact Öhlins if you have any questions regarding the contents in this document.

Part no. MI_35021-05_0
Issued 2023-09-14

© Öhlins Racing AB. All rights reserved. Any reprinting or unauthorized use without the written permission of Öhlins Racing AB is prohibited.

Öhlins Racing AB
Box 722
S-194 27 Upplands Väsby, Sweden
Phone +46 8 590 025 00
fax +46 8 590 025 80



www.ohlins.com