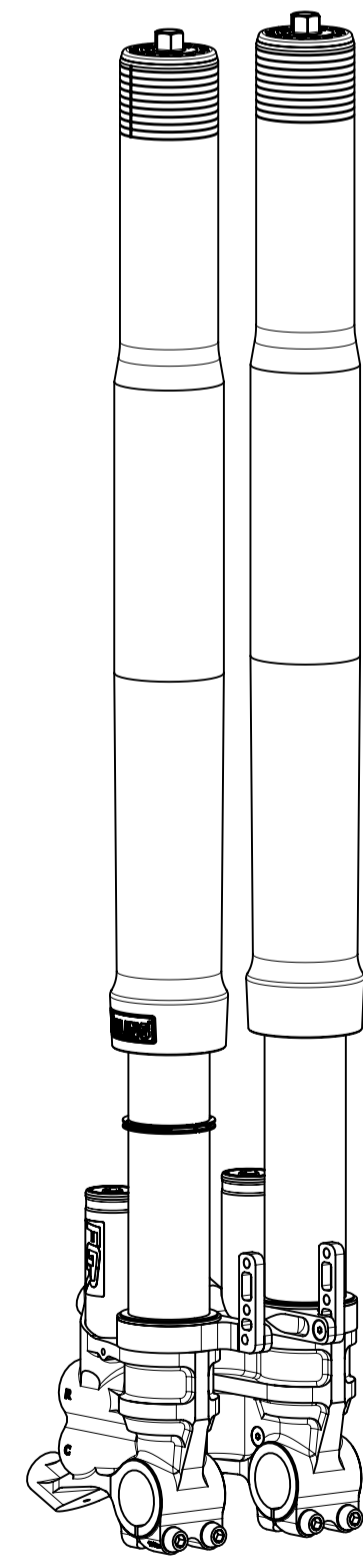
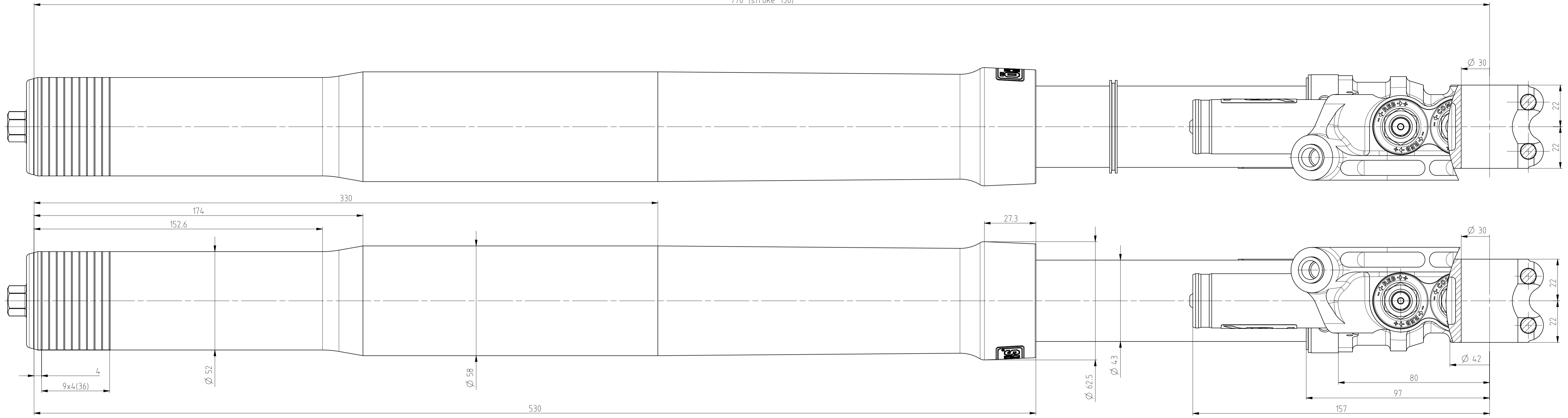
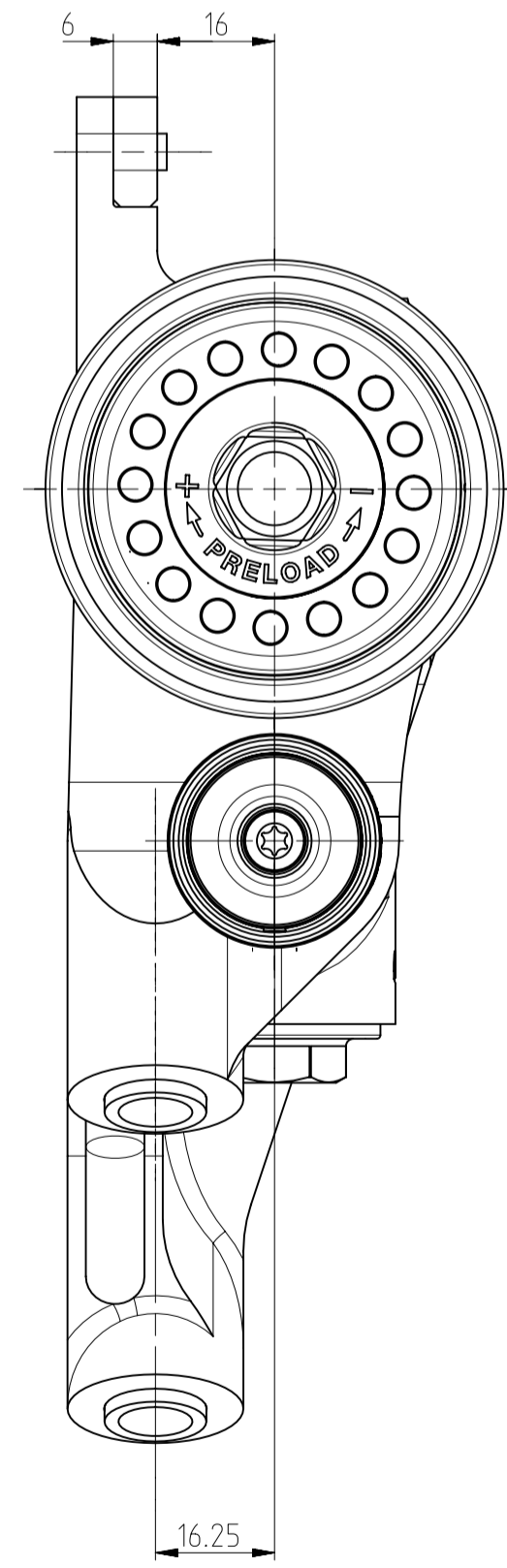
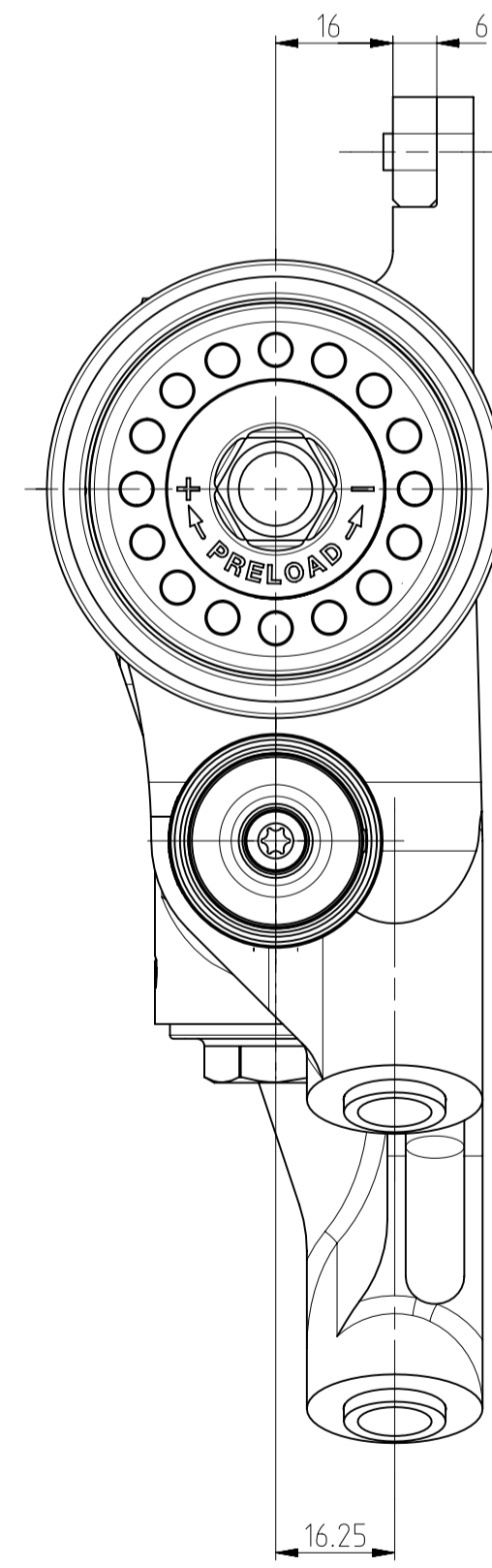
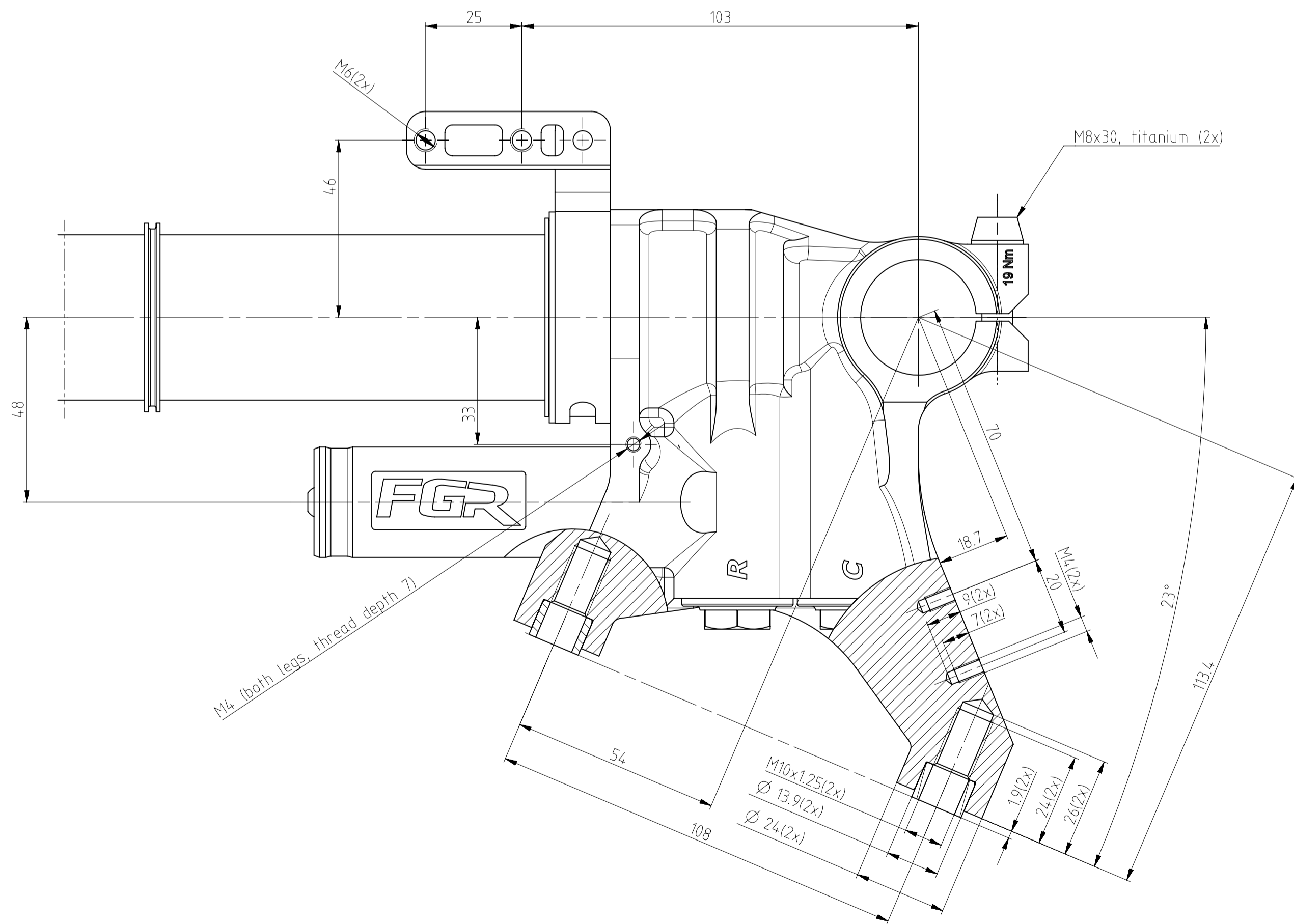


770 (stroke 130)



1:4



Date		Drawn		Approved		Format		Scale		Surface treatment	
2015-09-07		ROTH		TAN		A1				FGR_300	
Designation (english)										Drawing number	
Dimensions										FGR_301	
Front fork superbike										Revision	
										A	

This document must not be copied without our written permission. If this content is used for any unauthorized purpose, Contravention will be prosecuted.

Following standards apply for this drawing:
 SS-EN ISO 8005:2011
 SS-EN ISO 4288 (A0)-TS0062
 see entire drawing for additional standards

ISO 2768-MK	Dev.
(A0)-(A18)	mm
(A0)-(A18)	mm
(A0)-(A18)	mm
(A0)-(A18)	mm
(A0)-(A18)	mm

Ext. radius	Dev.
(R0)-(R18)	mm
(R0)-(R18)	mm
(R0)-(R18)	mm
(R0)-(R18)	mm
(R0)-(R18)	mm

Angular chamf	Dev.
(A0)-(A18)	mm
(A0)-(A18)	mm
(A0)-(A18)	mm
(A0)-(A18)	mm
(A0)-(A18)	mm

Rev.	Ändrings art/Type of change	Sign.	Datum/Date	An/Rev. nr
A	Released for production	ROTH	15-09-07	