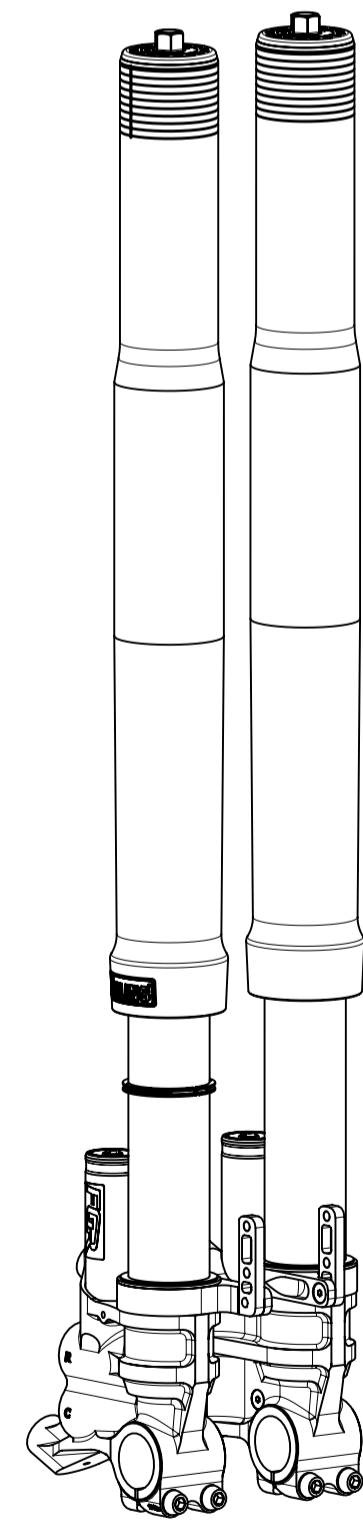
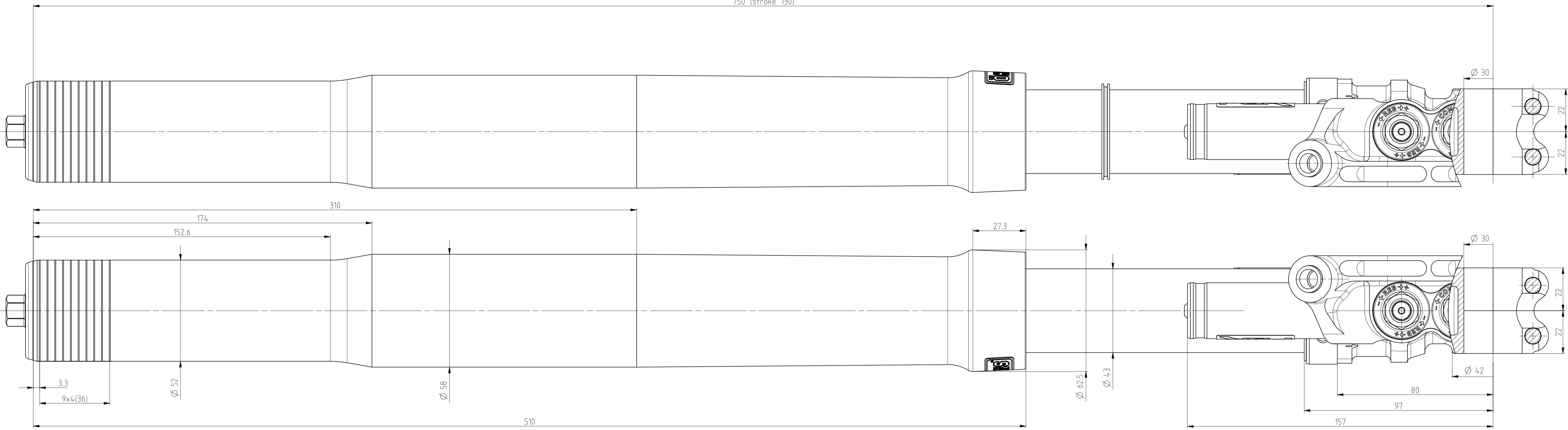
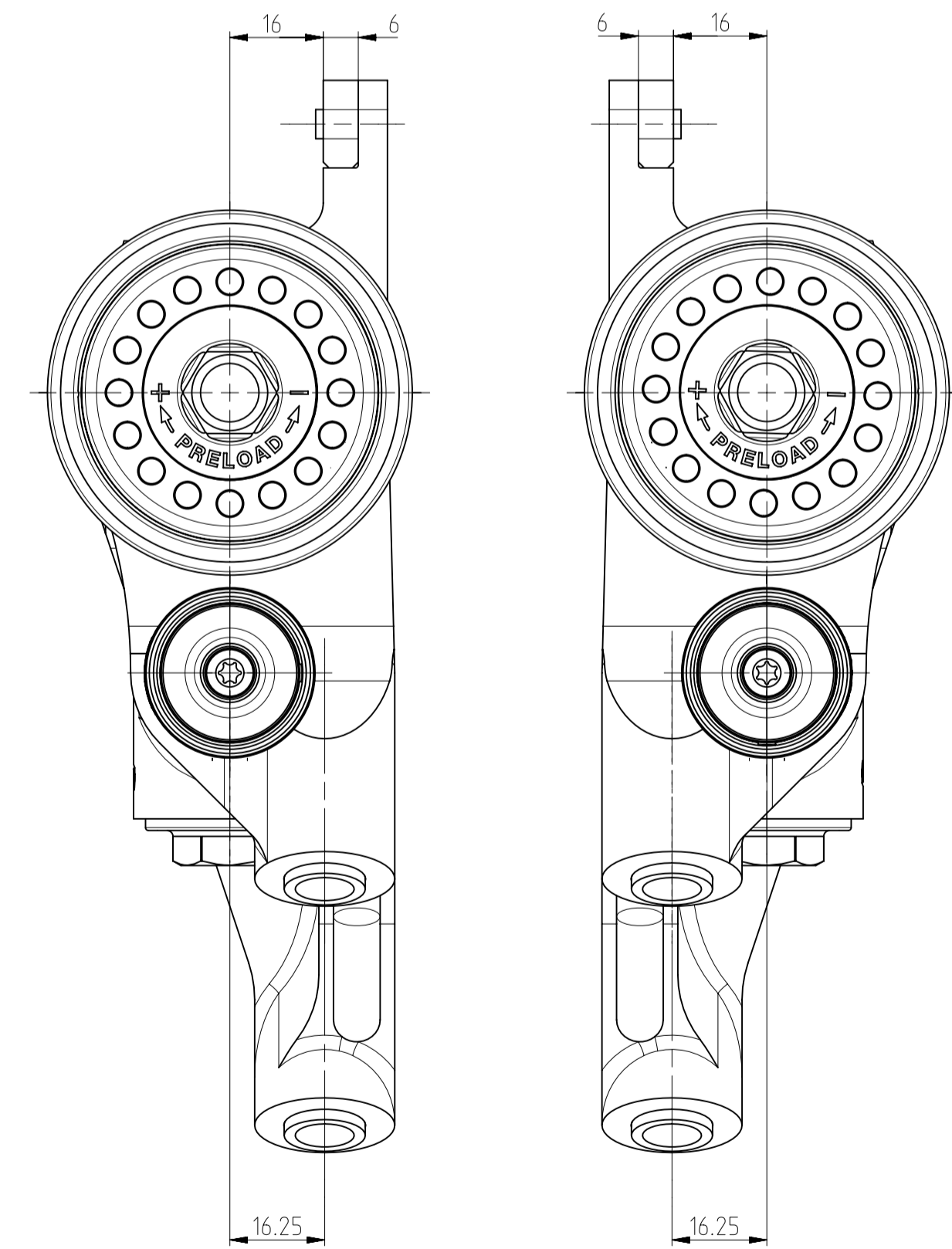
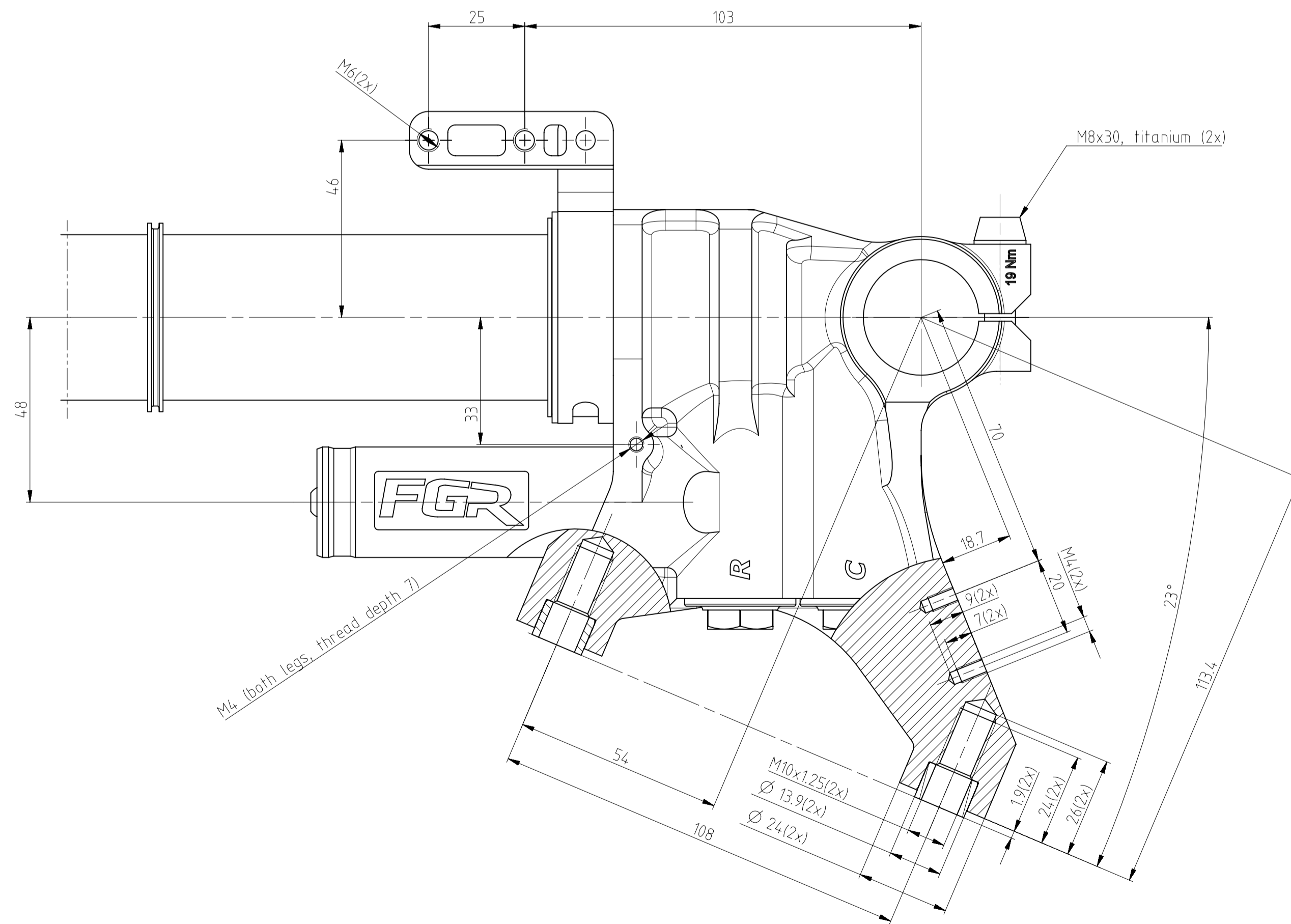


750 (stroke 130)



1:4



This document must not be spread without the written permission of the company. If the content of this document is to be used for other purposes, the permission must be obtained from the company.

Denne tekniske tegning skal ikke spredes uden skriftlig tilladelse fra virksomheden. Hvis tegningen skal bruges til andre formål, skal der søges om tilladelse til dette.

Ytjänster Rul Surface roughness Ra

For ej holerens-satta mätt glädder mättemperatur utan holerens-satta

ISO 2768-Ms

Rev.	Ändrings art/type of change	Sign.	Datum/Date	Äm./Rev. nr
B	No change.	ROTH	14.05.20	
A	M8x30 was M8x25	GEAH	13.09.11	

Titel		Värdeändring/Value treatment		Ytbehandling/Surface treatment	
Datum/Date	Skapad/Drawn	Godkänd/Approved	Format/Scale	Utskrift/Printed	Ämne/Component
2012-11-01	ROTH	TAN	A1 1:1	Utskrift/Printed	FGR_200
Beskrivning/Description				Ritning nr/Drawing number	
ÖHLINS				Revision	
Dimensions Front fork superbike				FGR_300 B	