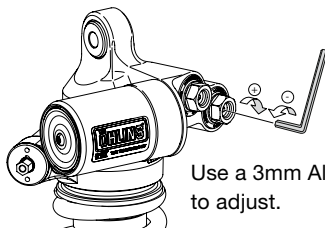


Adjustments

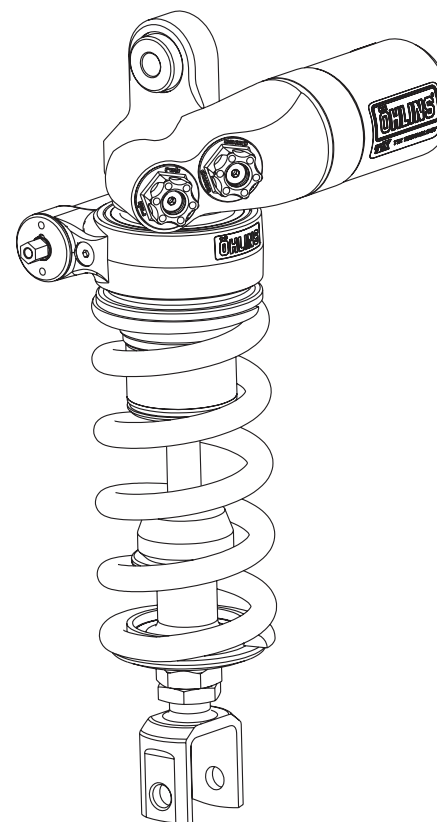
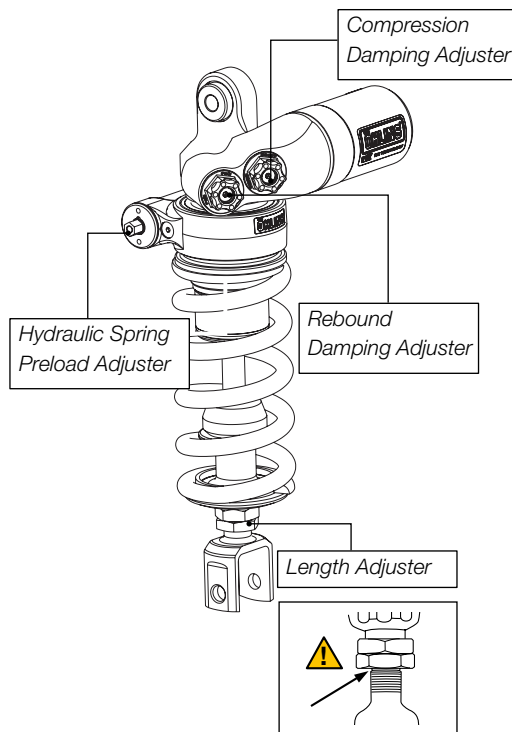
⚠ Warning!

Before riding, always make sure that the basic settings made by Öhlins are according to recommended Set-up Data. Read about adjustments and setting up in the Öhlins Owner's Manual before you make any adjustments. Contact an Öhlins dealer if you have any questions about setting up the shock absorber.

Compression and Rebound Adjuster



Use a 3mm Allen key to adjust.



Before installing this product, check the contents of the kit. If anything is missing, please contact your nearest Öhlins dealer.

Kit Contents

	Part No.	Pcs.
Shock absorber	SU 932	1
Öhlins Sticker	00192-01	2
Memo Notes Sticker	01180-01	1
Owner's Manual	07242-01	1

Please note that during storage and transportation, especially at high ambient temperature, some of the oil and grease used for assembling may leak and stain the packaging. This is in no way detrimental to the product, wipe off the excessive oil/grease with a cloth.

⚠ Warning!

Before installing this product, read the Öhlins Owner's Manual. The shock absorber is an important part of your vehicle and will affect the stability.

Set-up Data

Recommended set-up

Spring preload	12.5 mm	Free spring length	160 ⁰ / ₋₃ mm
Compression	11 clicks	Free Sag (R1-R2)	15 mm
Rebound damping	12 clicks	Ride Height (R1-R3)	28 mm
Shock absorber length	315 ⁺² / ₋₂ mm	⚠ Read about Free Sag and Ride height in the Öhlins Owner's Manual.	
Stroke	63 mm		
Spring	21040-36 (105 N/mm)		

⚠ Öhlins products are subject to continuous improvement and development, therefore, although these instructions include the most up-to-date information available at the time of printing, minor updates may occur.

To find the latest information contact your Öhlins distributor. Please consult your Öhlins dealer if you have any questions regarding the contents in this document.

Part no. SU932_0
Issued 2012-04-18



© Öhlins Racing AB. All rights reserved. Any reprinting or unauthorized use without the written permission of Öhlins Racing AB is prohibited.

Öhlins Racing AB
Box 722
S-194 27 Upplands Väsby, Sweden
Phone +46 8 590 025 00
fax +46 8 590 025 80



www.ohlins.com

Shock Absorber for Suzuki GSXR1000

SU 932

Mounting Instructions



How to install

⚠ Warning!

It is advisable to have an Öhlins dealer install the shock absorber.

When installing, consult your Vehicle Service Manual.

1

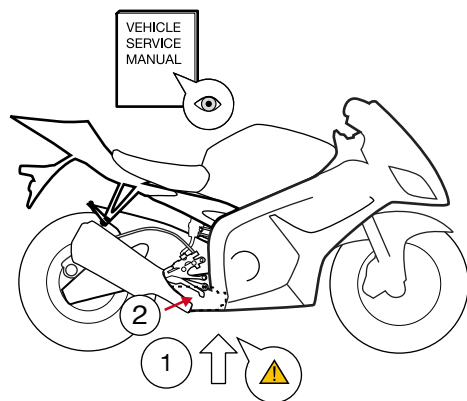
Put the motorcycle on a workstand so that the rear wheel barely touches the ground.

⚠ Warning!

Make sure the vehicle is securely supported so that it will not tip.

2

Remove the right side exhaust guard.



3

Remove the upper screw of the link (A).
Remove the front screw (B), and loosen the rear screw of the link arm (C).

⚠ Caution!

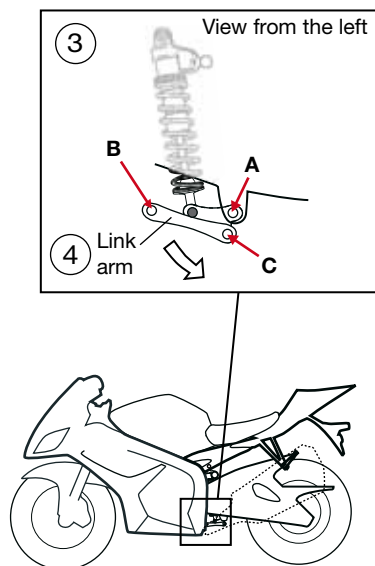
The brake hose must not be stretched. It can be damaged. Support the swing arm once the lower screw of the shock absorber is removed.

4

Push the link and the link arm backwards so that you can remove the rear screw of the link arm (C).

5

Remove the upper screw of the original shock absorber. Remove the shock absorber and the link, remove the whole unit above the rear wheel.



👁 Note!

Recommendation! Before installing the Öhlins shock absorber:

- Clean the vehicle thoroughly
- Adjust the length of the shock absorber (check the headlight angle after adjusting the length!)

6

Attach the Öhlins shock absorber to the link. Install the Öhlins shock absorber and the link in the same way as the original unit. Use the original screws.

👁 Note!

Lower the motorcycle so that the shock absorber is slightly compressed, before tightening the screws.

7

Reinstall the right side exhaust guard. Make sure that all removed parts are installed in the same way as they were before the installation.

⚠ Warning!

Make sure that all screws are tightened to the correct torque and that nothing fouls or restricts movement of the shock absorber when the suspension is fully compressed or extended.