

Before installing this product, check the contents of the kit. If anything is missing, please contact your Ohlins dealer.

Kit Contents	Pcs
Compression Piston Assembly	2
Rebound Piston Assembly	2
Ohlins Sticker (60x23) white	00191-32 2
Ohlins Sticker (60x23) blue	00191-33 2

Warning!

This kit should only be installed by an authorized Ohlins Centre. The installation procedure requires special Ohlins tools.

Ohlins products are subject to continuous improvement and development, therefore, although these instructions include the most up-to-date information available at the time of printing, minor updates may occur.

To find the latest information, please contact your Ohlins distributor. Please consult your Ohlins dealer if you have any questions regarding the contents in this document.

Part no. FPK103_2
Issued 2009-03-30



Front Fork Piston Kit for Ducati 848/1098/1198

FPK 103

Mounting Instructions

© Ohlins Racing AB. All rights reserved.
Any reprinting or unauthorized use without the written permission of Ohlins Racing AB is prohibited.

Ohlins Racing AB
Box 722
S-194 27 Upplands Väsby, Sweden
Phone +46 8 590 025 00
fax +46 8 590 025 80



www.ohlins.com



Note!

The front fork is a very important part of the vehicle and will therefore affect the stability of the vehicle.

Read and make sure that you understand the information in this manual before you use this product. If you have any questions regarding installation or maintenance please contact your nearest Öhlins dealer.

Öhlins Racing AB can not be held responsible for any damage to the front fork, vehicle, other property or injury to persons, if the instructions for installing and maintenance are not followed exactly.

Warning!

This product was developed and designed exclusively for a specific vehicle model and should only be installed on the intended vehicle model in its original condition as delivered from the vehicle manufacturer.

After installing this product, take a test ride at low speed to make sure that your vehicle has maintained its stability.

Note!

When working on this product, always consult your Vehicle Service Manual.

This Manual should be considered as a part of the product and should therefore accompany the product throughout its life cycle.

Safety Symbols

In this manual, mounting instructions and other technical documents, important information concerning safety is distinguished by the following symbols:



The Safety Alert Symbol means: Warning! Your safety is involved.

Warning!

The Warning Symbol means: Failure to follow warning instructions can result in severe or fatal injury to anyone working with, inspecting or using the front fork, or to bystanders.

Caution!

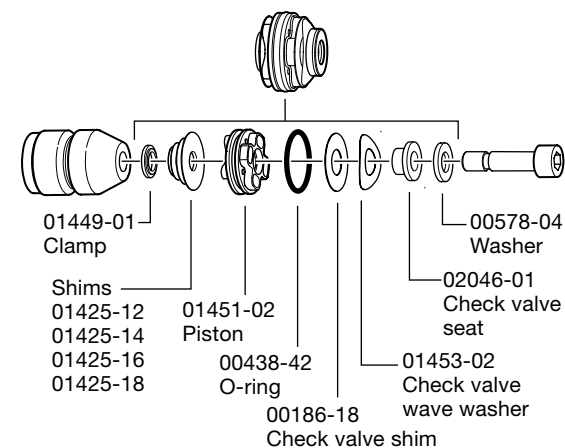
The Caution Symbol means: Special precautions must be taken to avoid damage to the front fork.

Note!

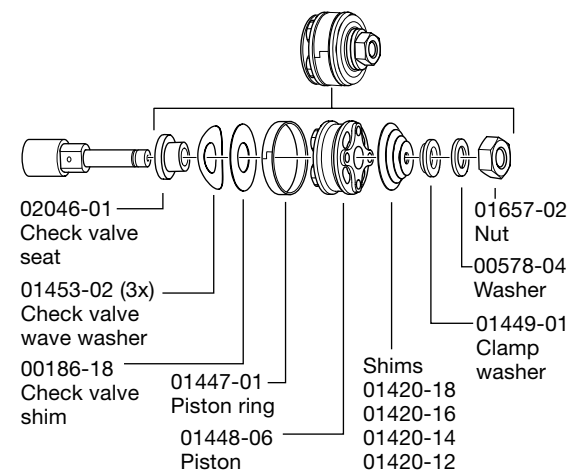
The Note Symbol indicates information that is important regarding procedures.

© Öhlins Racing AB. All rights reserved. Any reprinting or unauthorized use without the written permission of Öhlins Racing AB is prohibited. Printed in Sweden.

Base Valve Piston - Compression



Main Piston - Rebound



Recommended set-up

Compression	0.5 turn
Rebound	8 clicks
Spring Preload	0 turn
Oil Level	160 mm

Optional Springs

Part No.	Rate
08761-95	9.5 N/mm
08761-10	10.0 N/mm
08761-05	10.5 N/mm
Standard Spring	10.0 N/mm

Recommended Öhlins Tools

Clamping tool Ø10/12	00727-02
Clamping tool Ø20	00787-05
Preload tube pusher tool	01766-02

Lubricants

Öhlins Front Fork Fluid	01309-01
Öhlins Red Grease	00146-01

Adhesives

Loctite 243

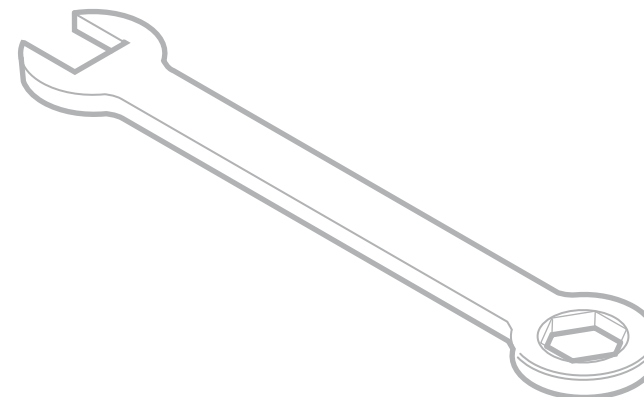
Recommended OEM Tools

Seal Head tool
 Pull-up tool
 Stopper Plate Tool



Recommended Tools

Impact wrench
 Allen key
 Open Wrench
 File
 Vice



How to install

1. Remove the Front Fork

⚠ Warning!

It is advisable to have an Öhlins dealer install the Fork Piston Kit.

When installing, consult your Vehicle Service Manual.

1.1

Put the motorcycle on a workstand so that the front wheel barely touches the ground.

⚠ Warning!

Make sure the vehicle is securely supported so that it will not tip.

1.2

Remove the front fender, brake calipers and the front wheel.

1.3

Measure the distance from the top of the outer fork leg to the top of the upper fork crown.

👁 Note!

Note the distance. The upper fork crown should be reinstalled at the same position.

1.4

Release the spring preload and count the number of turns.

👁 Note!

Note the number of turns.

1.5

Loosen the upper fork crown by loosening the screws.

1.6

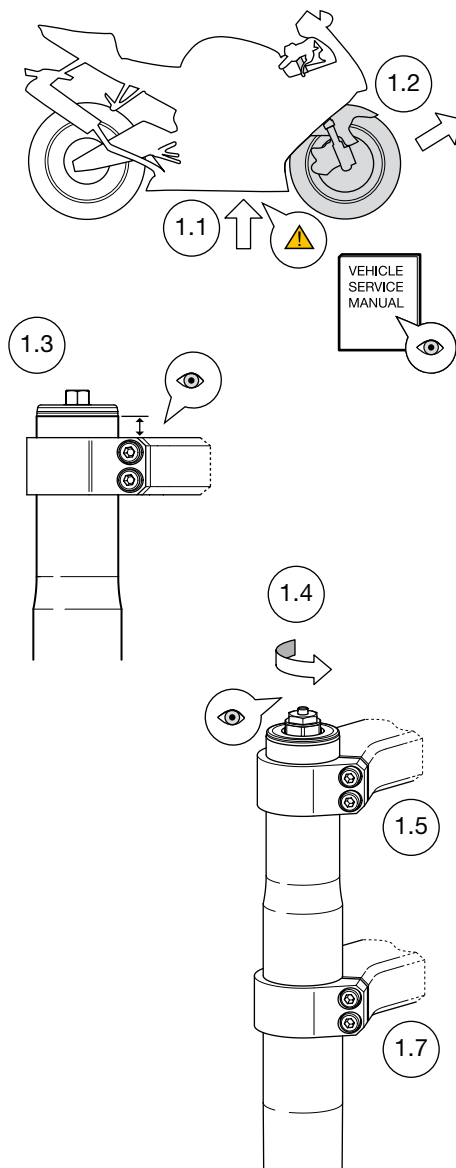
Loosen, but do not remove, the top cap half a turn.

1.7

Loosen the lower fork crown by loosening the screws.

1.8

Remove the fork legs from the fork crowns.



How to install

5.8

Use tool 01766-02, push down the preload tube. Pull up the shaft, use an OEM Pull up Tool. Insert a Stopper plate tool. Assemble the top cap to the shaft by tightening it to the lock nut. Tightening torque: 15 Nm.

👁 Note!

Make sure that the distance between the shaft lock nut and the top of the shaft does not change when assembling the top cap.

5.9

Assemble the top cap to the outer fork leg. Tightening torque: 10 Nm. Put some grease on the thread and the o-ring. Make sure that the Front Fork is fully extended when tightening the top cap.

6 Install the Front Fork

6.1

Install the front fork legs into the fork crowns. Tightening torque upper fork crown: 20 Nm
Tightening torque lower fork crown: 10 Nm

👁 Note!

Make sure that the distance between the top of the fork leg and the upper fork crown is the same as measured in chapter 1.3.

6.2

Reinstall the front fender, brake calipers and the front wheel. Do not tighten yet.

6.3

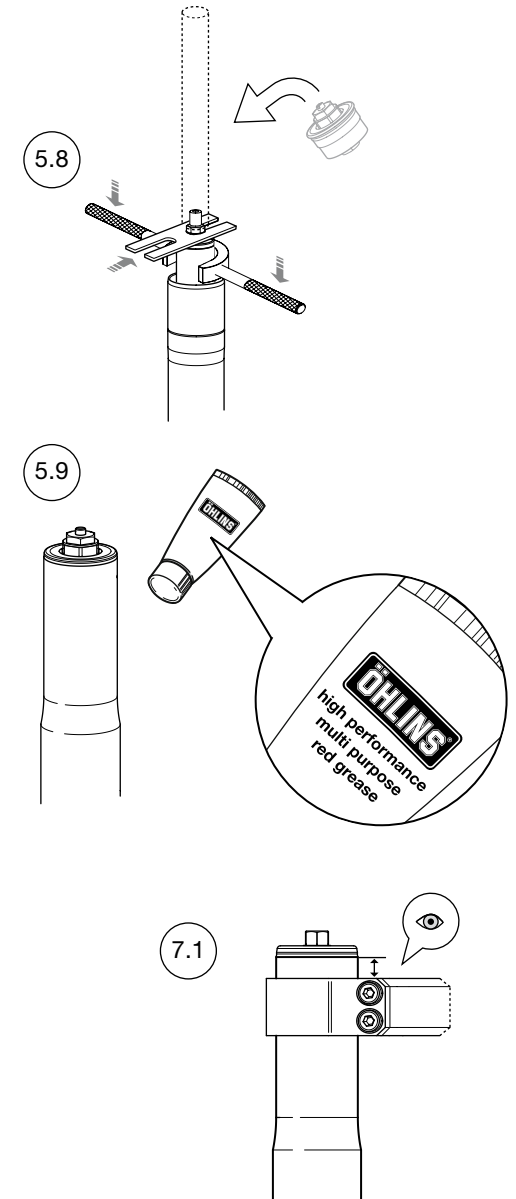
Put the motorcycle on the ground, apply the front brake and compress the front fork 3-4 times. This will put the legs in an exact parallel position.

6.4

Tighten the front wheel, brake calipers and the front fender. Consult your Vehicle Service Manual for correct tightening torques.

👁 Note!

Make sure that nothing restricts the fork movement when fully compressed.



How to install

5 Install the Cartridge Assembly into the Fork Leg

5.1

Install the cartridge assembly into the fork leg and tighten the bottom screw.

Tightening torque: 20 Nm. Loctite 243

👁 Note!

Check the condition of the copper washer.
Replace if worn or deformed.

5.2

Pour approximately 0,5 litre Öhlins Front Fork fluid into the fork leg.

5.3

Install the top cap directly to the shaft, no spring or preload tube. Pull up the outer fork leg and screw it to the top cap. Handtighten only. Pump out all air from the damping system by pulling the outer fork leg up and down 10-15 times.

5.4

Remove the top cap.

5.5

Make sure that the shaft is in the bottom of the cartridge and the outer fork leg is in its bottom position. Measure the distance from the top of the outer fork leg to the oil surface. Recommended oil level according to Set-up Data in this folder.

5.6

Set the distance between the shaft lock nut and the top of the shaft.

👁 Note!

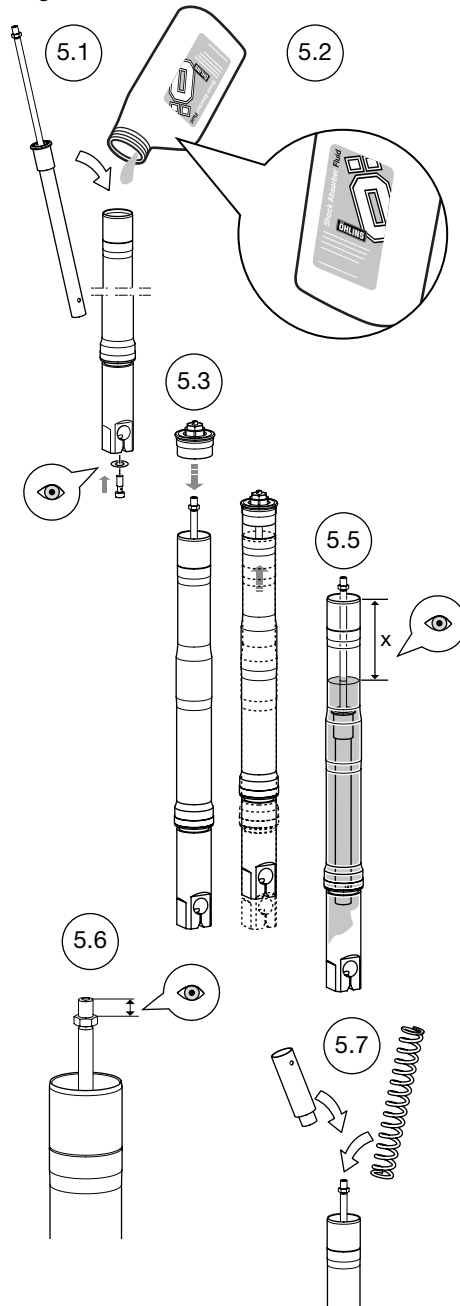
Use the same distance between the lock nut and the top of the shaft as in chapter 2.3

5.7

Drop the spring and preload tube on top of the cartridge.

👁 Note!

Parts in the same order as in chapter 2.5.



How to install

2 Remove cartridge from fork leg

2.1

Loosen the top cap from the outer fork leg and slide the outer fork leg all the way down.

2.2

Use tool 01766-02 and push the preload tube down to expose the lock nut. Insert a Stopper Plate Tool below the lock nut.

2.3

Loosen the top cap from the shaft.

2.4

Measure the distance between the lock nut and the top of the shaft.

👁 Note!

Note the distance between the lock nut and the top of the shaft.

2.5

Remove the preload tube and the spring.

👁 Note!

Note the order between the parts and the direction of the spring.

2.6

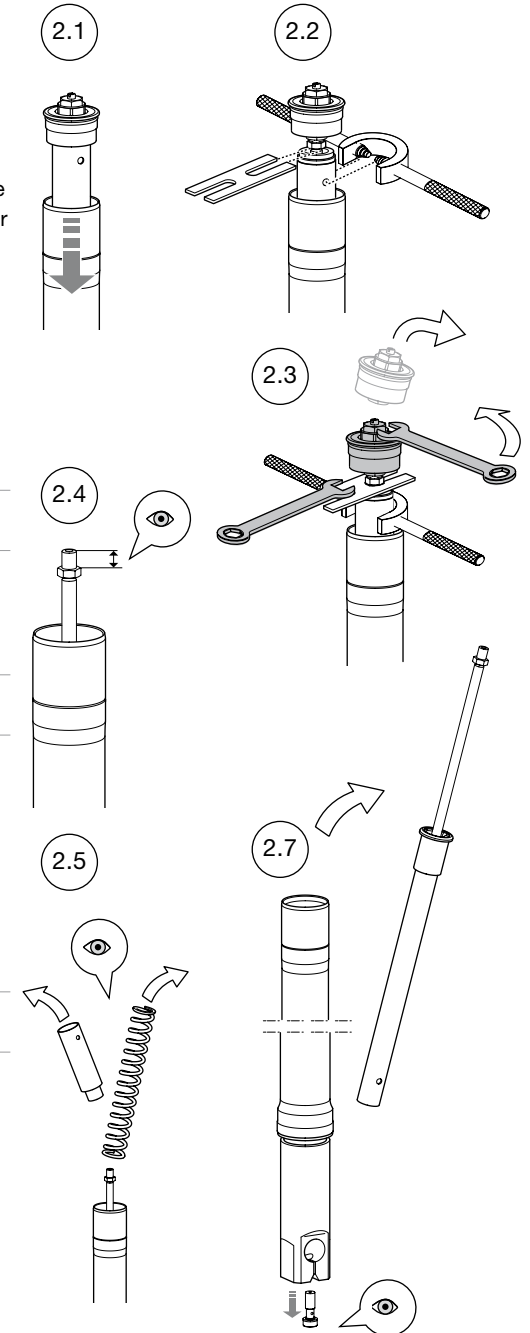
Turn the fork leg upside down and pour out the oil.

2.7

Remove the cartridge assembly by loosening the bottom screw.

👁 Note!

Use an impact wrench when loosening the bottom screw.



3 Replace Base Valve Piston (Compression)

3.1

Remove the circlip from the cylinder tube and pull out the base valve assembly.

3.2

Put the base valve in a vice, use tool 00787-05. Remove the standard piston and the shims from the base valve, by loosening the base valve screw. Do not remove the base valve from the vice yet.

3.3

Remove the o-ring from the Öhlins piston kit delivery holder.

3.4

Slide all components on the delivery holder directly on the base valve screw and tighten it to the base valve.

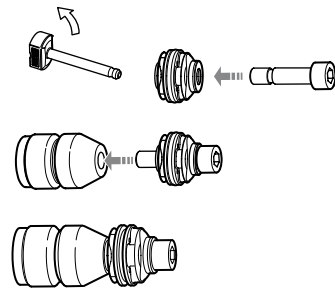
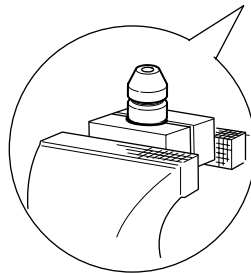
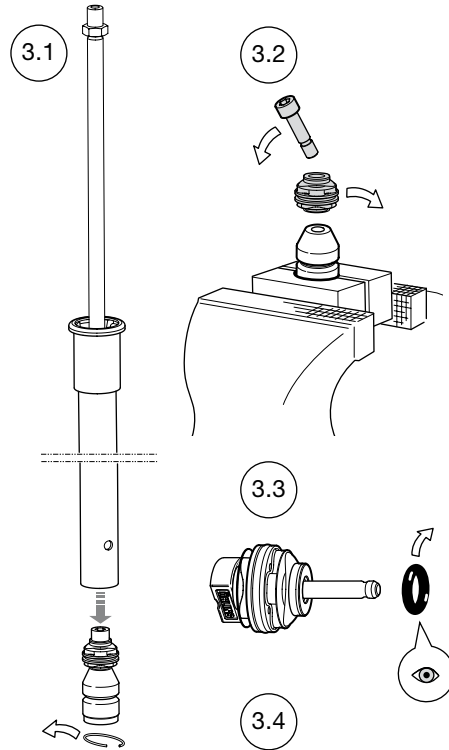
Tightening torque: 5 Nm. Loctite 243.

👁 Note!

The o-ring and the delivery holder are only delivery parts and shall not be assembled.

👁 Note!

Do not install the base valve assembly into the cylinder tube yet. See chapter 4.8.



4 Replace Main Piston (Rebound)

4.1

Remove the shaft lock nut by loosening it from the shaft.

4.2

Remove the shaft assembly by sliding it through the seal head.

👁 Note!

Note the order in which the parts were installed.

4.3

Put the shaft in a vice, use tool 00727-02. Remove the standard piston and shims from the piston holder by loosening the piston holder nut.

👁 Caution!

To remove the nut, remove the deformed thread at the end of the piston holder by grinding. Otherwise you could damage the piston holder.

4.4

Remove the o-ring from the Öhlins piston kit delivery holder.

4.5

Slide all components on the delivery holder directly on the piston holder and tighten the piston holder nut.

Tightening torque: 5 Nm. Loctite 243.

👁 Note!

The o-ring and the delivery holder are only delivery parts and shall not be assembled.

4.6

Slide the shaft assembly back into the cylinder tube.

👁 Note!

Make sure the parts are in the same order they were when they were removed.

4.7

Reinstall the shaft lock nut.

4.8

Reinstall the base valve assembly in the cylinder tube. Reinstall the circlip.

