

Kit Contents		
Description	Part No	Pcs
Steering damper	SD 047	1
Tie-rop 4.8 x 200	00231-01	3
Washer 8.4/24/2	00426-03	2
Screw M8x40	01046-21	1
Sleeve 8/14/7	02238-16	1
Resistor	21702-02	1
Sticker Öhlins Wh/Tr	01185-01	2
Sticker Öhlins Bl/Tr	01185-04	2
Owner's manual	07261-02	1

👁 Note!

Please note that there can be small differences between your product and the images in these instructions.

👁 Note!

Please note that during storage and transport, especially at high ambient temperature, some of the oil and grease used for assembly may leak and stain the packaging. This will not cause damage to the product, wipe off the excessive oil or grease with a cloth.

👁 Note!

Before you install this product, check the kit contents. If anything is missing, please contact an Öhlins dealer.

⚠ Warning!

Before you install this product, read the Öhlins Owner's manual. This product is an important part of the vehicle and the vehicle stability.

Steering damper for Yamaha R1/MT10

SD 047

Mounting Instructions

MOUNTING INSTRUCTIONS

⚠ Warning!

We strongly recommend to let an Öhlins dealer install this product.

⚠ Warning!

If you work with a lifted vehicle, make sure that it is safely supported to prevent it from tipping over.

👁 Note!

When you work with this product, see the vehicle service manual for vehicle specific procedures and important data.

👁 Note!

Before you install this product clean the vehicle.

Instruction for R1:

1

Remove the mirrors.

2

Remove the inner panels below the handle bars.

3

Remove the upper front fairing together with screen.
Disconnect the original steering damper cable.

4

Connect the resistor (21702-02), supplied in this kit.
Attach the resistor with the tie-raps provided.

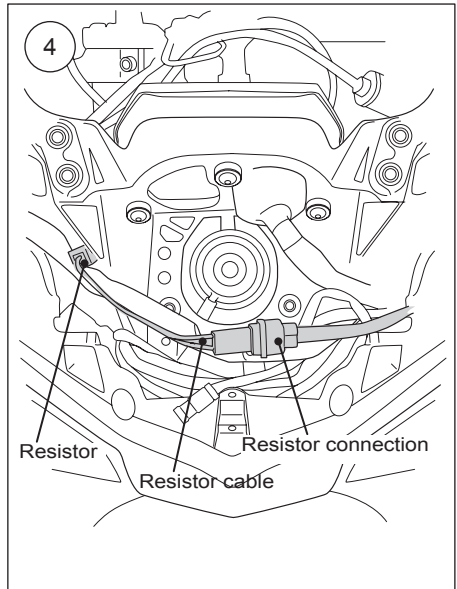
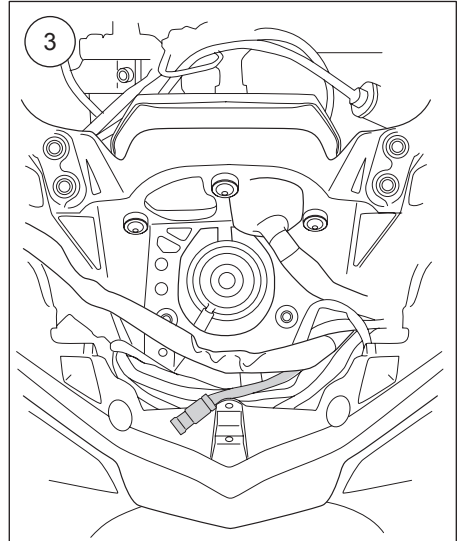
5

Remove the panels under the lower triple clamp.

6

Remove the original steering damper.

Continue on page 4.



MOUNTING INSTRUCTIONS

Instruction for MT10:

1

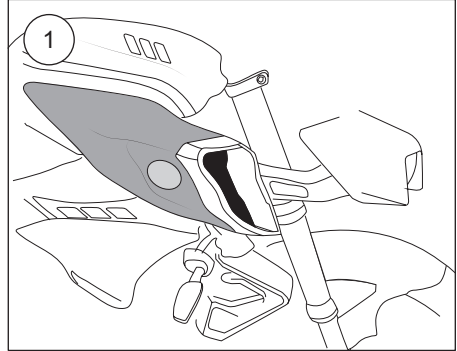
Remove Right hand side "air intake cover" and wiring cover.

2

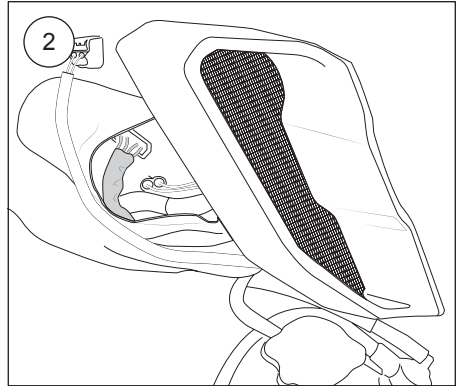
Follow original steering damper wiring to connector and disconnect it. Connect the Ohlins Resistor (21702-02), supplied in this kit. Attach the resistor with tie-raps provided.

3

Remove the original steering damper.



Continue on page 4.



MOUNTING INSTRUCTIONS

Common instruction

1

Install the Öhlins steering damper to the frame bracket.

Install in this order:

1. Original screw
2. Washer (00426-03)
3. Original washer
4. Ball joint
5. Original rubber/steel washer (rubber egde facing down)
6. Frame

Install the Öhlins steering damper to the triple clamp.

Install in this order:

1. Screw (01046-21)
2. Washer (00426-03)
3. Ball joint
4. Sleeve (02238-16)
5. Triple clamp
6. Original nut

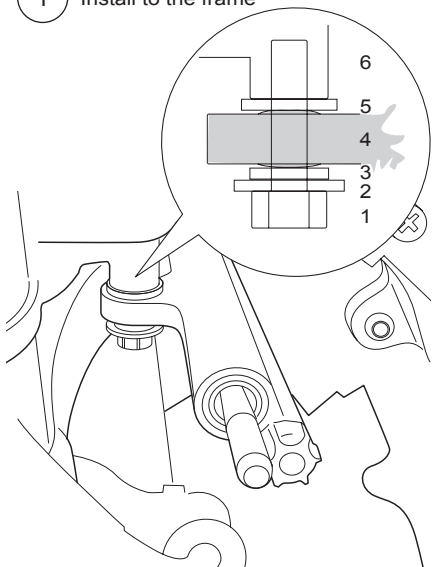
2

Install the removed parts in reverse order.

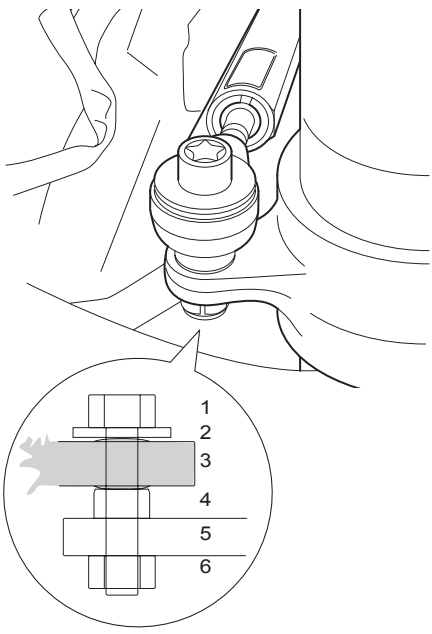
3

Turn the handle bars fully to the right and left to make sure that nothing restricts the movement.

1 Install to the frame



Install to the triple clamp



MOUNTING INSTRUCTIONS

This page intentionally left blank

MOUNTING INSTRUCTIONS

This page intentionally left blank

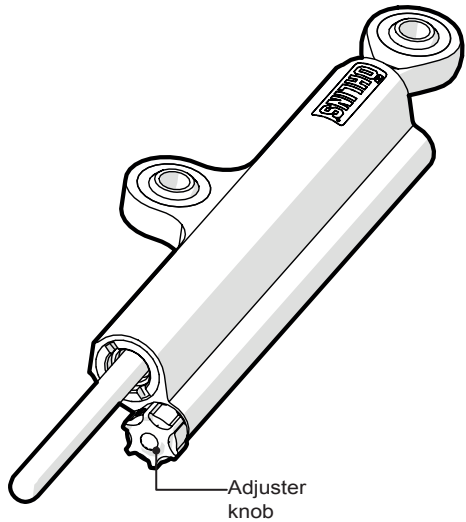
MOUNTING INSTRUCTIONS

This page intentionally left blank

ADJUSTMENTS

⚠ Warning!

Before you ride/drive, always make sure that the setup is according to the recommended setup data. Read about adjustments and setting up in the Öhlins Owner's Manual before you make any adjustments. Contact an Öhlins dealer if you have any questions about setting up.



SETUP DATA

Stroke	63	mm
Recommended setup	10	clicks

Öhlins products are subject to continuous improvement and development, therefore, although these instructions include the most up-to-date information available at the time of printing, minor updates may occur.

To find the latest information contact an Öhlins distributor. Please contact Öhlins if you have any questions regarding the contents in this document.

Part no. MI_SD047_1
Issued 2020-11-16

© Öhlins Racing AB. All rights reserved. Any reprinting or unauthorized use without the written permission of Öhlins Racing AB is prohibited.

Öhlins Racing AB
Box 722
S-194 27 Upplands Väsby, Sweden
Phone +46 8 590 025 00
fax +46 8 590 025 80



www.ohlins.com