



Kit Contents

	Description	Part No	Pcs
1.1	Shock absorber left	MEV 1X00	1
1.2	Shock absorber right	MEV 2X00	1
2	M8 Top mount bolts	05404-14	6
3	Helper spring		2
4	Spring support	05193-07	2
5	Main spring		2
6	Spring retainer	05907-05	2
7	Top mount	05927-14	2
8	Washer	00426-08	2
9	Screw M10x55	00439-21	2
10	M10 Lock nut	00539-04	2
11	Bearing spacer	01018-63	4
12	Owner's manual	07446-01	1
13	Öhlins sticker kit	10207-01	1
14	Öhlins emblem kit	10207-02	1
15	Preload adjuster tool	03199-01	1

👁 Note!

Please note that there can be small differences between your product and the images in these instructions.

👁 Note!

Please note that during storage and transport, especially at high ambient temperature, some of the oil and grease used for assembly may leak and stain the packaging. This will not cause damage to the product, wipe off the excessive oil or grease with a cloth.

👁 Note!

Before you install this product, check the kit contents. If anything is missing, please contact an Öhlins dealer.

⚠ Warning!

Before you install this product, read the Öhlins Owner's manual. This product is an important part of the vehicle and the vehicle stability.

👁 Note!

If the vehicle is equipped with OEM electronic shock absorbers, use Öhlins cancellation kit to avoid error codes. For more information and part number, please visit www.ohlins.com or contact an Öhlins dealer

Shock absorber kit for Mercedes C190 AMG GT 2015-

MEV MX00 *front*

Mounting Instructions



MOUNTING INSTRUCTIONS

⚠ Warning!

We strongly recommend to let an Öhlins dealer install this product.

⚠ Warning!

If you work with a lifted vehicle, make sure that it is safely supported to prevent it from tipping over.

👁 Note!

When you work with this product, see the vehicle service manual for vehicle specific procedures and important data.

👁 Note!

Before you install this product clean the vehicle.

1

Raise the vehicle and put it on jack stands.

2

Remove the wheels.

3

Loosen the bolt for the lower shock attachments.

👁 Note!

Support the wheel hubs in an appropriate way on each side of the vehicle so that the brake hoses can not be damaged.

4

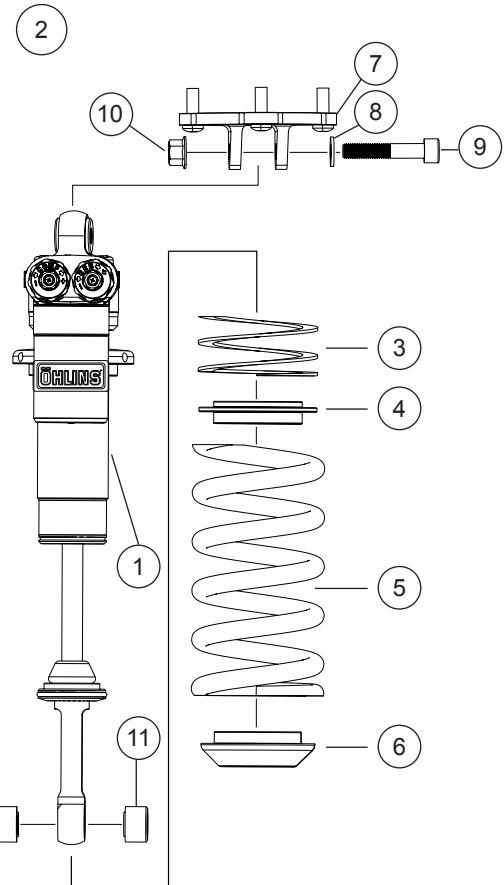
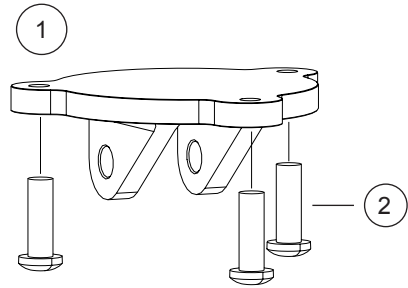
Loosen the upper attachments. Remove the original shock absorbers from the car.

5

Assemble the top mounts according to Fig 1. Apply a small amount of Loctite 2701 to the M8 bolts (2) and install in the rear top mount. Tighten the bolts to 15 Nm.

6

Assemble the front shock absorber according to Fig 2: Install the helper spring (3), the spring support (4), the main spring (5) and the spring retainer (6). Fit the top mount (7) to the shock absorber and install the washer (8), the M10 bolt (9) and the lock nut (10). Orientation of the top mount should be according to Fig 3. Tighten the lock nut to 70 Nm. The bearing spacers (11) will be installed in a later step.



MOUNTING INSTRUCTIONS

7

Install the Öhlins shock absorber to the vehicle starting with the top mount/upper attachment. The adjusters should be pointing towards the outside of the vehicle.

Note!

Please note that the shock absorbers are left and right. The shock absorber marked MEV 1X00 should be fitted on the left hand side of the vehicle. The shock absorber marked MEV 2X00 should be fitted to the right hand side of the vehicle.

8

Hold the bearing spacers (11) in place and fit the shock absorber to the lower attachment/control arm.

Note!

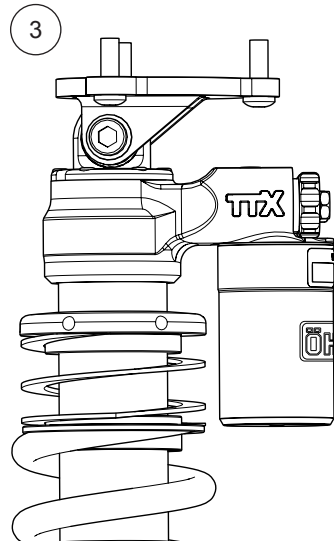
Make sure that all bolts are tightened to the correct torque and that nothing fouls or restricts movement of the strut when it is being fully compressed or extended. Test this over the whole steering range from lock to lock. Pay extra attention at the upper control arm of the vehicle, so that it does not interfere with the shock absorber reservoir according to fig 4. Some of the original bolts need to be replaced when removed. See the service manual for your vehicle or contact an Öhlins dealer.

9

Make sure that all removed parts are reinstalled in the same way as they were before the installation of the Öhlins shock absorber.

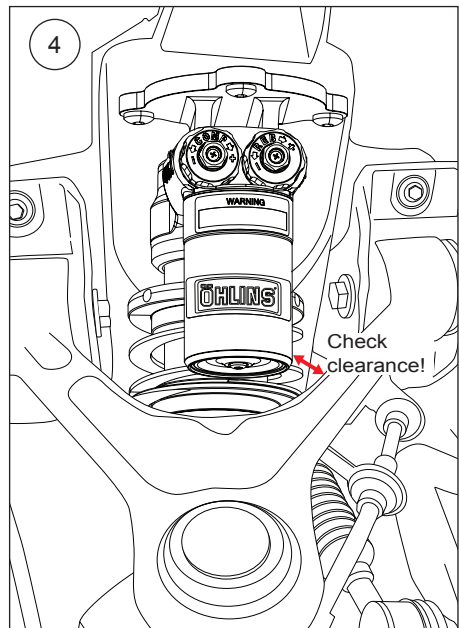
10

Reinstall the wheel.



Note!

Please note the orientation of the top mount when installing it to the shock absorber.



ADJUSTMENTS

⚠ Warning!

Before you ride/drive, always make sure that the setup is according to the recommended setup data. Read about adjustments and setting up in the Öhlins Owner's Manual before you make any adjustments. Contact an Öhlins dealer if you have any questions about setting up.

SETUP DATA

	Street	Track
Compression damping	15 clicks	4 clicks
Rebound damping	15 clicks	7 clicks

Recommended Springs

Main Spring

Length	Rate	Öhlins#
170 mm	160 N/mm	48170-29

Helper spring

Length	Rate	Öhlins#
73 mm	7.5 N/mm	05173-12

Recommended installed spring package length

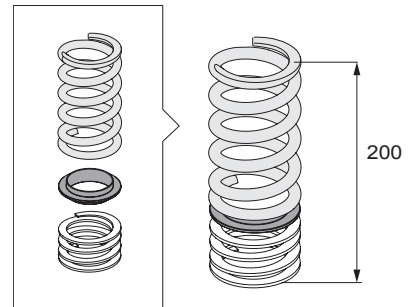
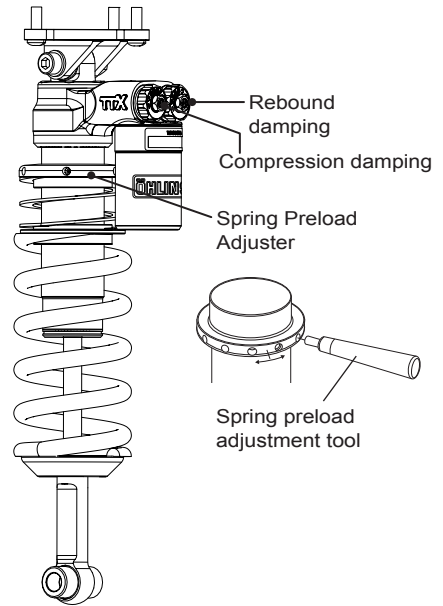
200 mm

Measure from upper edge of helper spring to lower part of main spring. Adjust the installed spring package length by turning the spring preload adjuster until desired ride height is achieved.

Depending on car model and equipment, the ride height at the recommended installed spring package length may vary.

⚠ Warning!

The adjustment range of the installed spring package length is 190-240 mm. Never adjust the spring preload adjuster so that the installed spring package length is shorter than 190 mm or longer than 240 mm.



Öhlins products are subject to continuous improvement and development, therefore, although these instructions include the most up-to-date information available at the time of printing, minor updates may occur.

To find the latest information contact an Öhlins distributor. Please contact Öhlins if you have any questions regarding the contents in this document.

Part no. MI_MEV MX00_0
Issued 2023-06-20

© Öhlins Racing AB. All rights reserved. Any reprinting or unauthorized use without the written permission of Öhlins Racing AB is prohibited.

Öhlins Racing AB
Box 722
S-194 27 Upplands Väsby, Sweden
Phone +46 8 590 025 00
fax +46 8 590 025 80



www.ohlins.com



Kit Contents			
	Description	Part No	Pcs
1.1	Shock absorber MEV	MEV 6X00	1
2	M8 Top mount bolts	05404-14	6
3	Helper spring		2
4	Spring support	05193-07	2
5	Main spring		2
6	Spring retainer	05907-05	2
7	Top mount	05927-14	2
8	Washer	00426-08	2
9	Screw M10x55	00439-21	2
10	M10 Lock nut	00539-04	2
11	Bearing spacer	01018-63	4

Note!

Please note that there can be small differences between your product and the images in these instructions.

Note!

Please note that during storage and transport, especially at high ambient temperature, some of the oil and grease used for assembly may leak and stain the packaging. This will not cause damage to the product, wipe off the excessive oil or grease with a cloth.

Note!

Before you install this product, check the kit contents. If anything is missing, please contact an Öhlins dealer.

Warning!

Before you install this product, read the Öhlins Owner's manual. This product is an important part of the vehicle and the vehicle stability.

Note!

If the vehicle is equipped with OEM electronic shock absorbers, use Öhlins cancellation kit to avoid error codes. For more information and part number, please visit www.ohlins.com or contact an Öhlins dealer.

Shock absorber kit for Mercedes C190 AMG GT 2015-

MEV MX00 rear

Mounting Instructions



MOUNTING INSTRUCTIONS

⚠ Warning!

We strongly recommend to let an Öhlins dealer install this product.

⚠ Warning!

If you work with a lifted vehicle, make sure that it is safely supported to prevent it from tipping over.

👁 Note!

When you work with this product, see the vehicle service manual for vehicle specific procedures and important data.

👁 Note!

Before you install this product clean the vehicle.

1

Raise the vehicle and put it on jack stands.

2

Remove the wheels.

3

Loosen the bolt for the lower shock attachments.

👁 Note!

Support the wheel hubs in an appropriate way on each side of the vehicle so that the brake hoses can not be damaged.

4

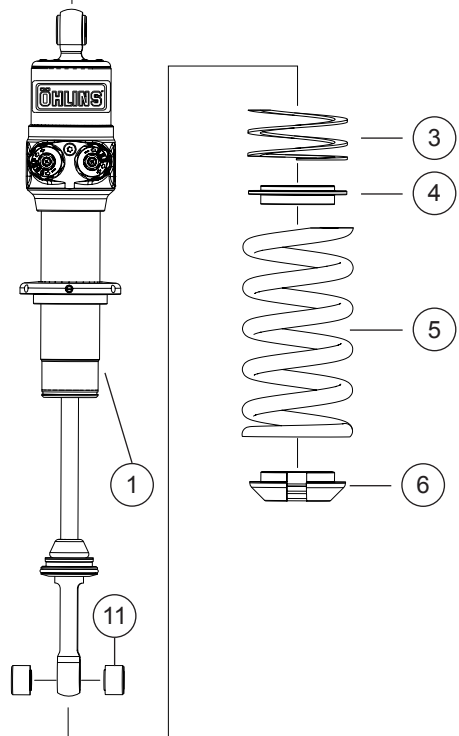
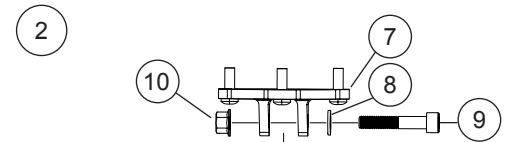
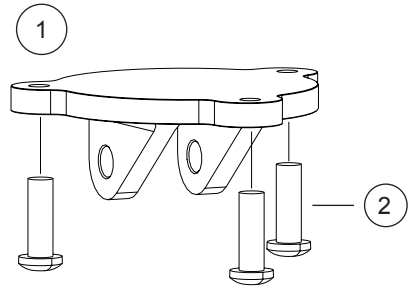
Loosen the upper attachments. Remove the original shock absorbers from the car.

5

Assemble the top mounts according to Fig 1. Apply a small amount of Loctite 2701 to the M8 bolts (2) and install in the rear top mount. Tighten the bolts to 15Nm

6

Assemble the rear shock absorber according to Fig 2: Install the helper spring (3), the spring support (4), the main spring (5) and the spring retainer (6). Fit the top mount (7) to the shock absorber and install the washer (8), the M10 bolt (9) and the lock nut (10). Orientation of the top mount should be according to Fig 3. Tighten the lock nut to 70 Nm. The bearing spacers (11) will be installed in a later step.



MOUNTING INSTRUCTIONS

7

Install the Öhlins shock absorber to the vehicle starting with the top mount/upper attachment. The adjusters should be pointing towards the outside of the vehicle.

8

Hold the bearing spacers (11) in place and fit the shock absorber to the lower attachment/control arm.

Note!

Make sure that all bolts are tightened to the correct torque and that nothing fouls or restricts movement of the strut when it is being fully compressed or extended. Some of the original bolts need to be replaced when removed. See the service manual for your vehicle or contact an Öhlins dealer.

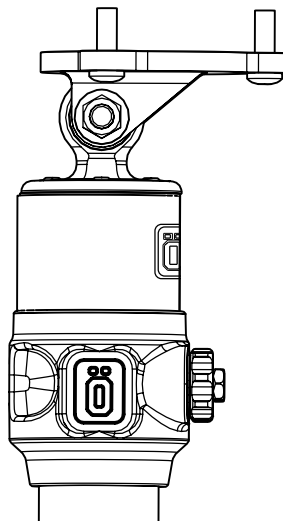
9

Make sure that all removed parts are reinstalled in the same way as they were before the installation of the Öhlins shock absorber.

10

Reinstall the wheel.

3



Note!

Please note the orientation of the top mount when installing it to the shock absorber.

ADJUSTMENTS

⚠ Warning!

Before you ride/drive, always make sure that the setup is according to the recommended setup data. Read about adjustments and setting up in the Öhlins Owner's Manual before you make any adjustments. Contact an Öhlins dealer if you have any questions about setting up.

SETUP DATA

	Street	Track
Compression damping	15 clicks	10 clicks
Rebound damping	15 clicks	12 clicks

Recommended Springs

Main Spring

Length	Rate	Öhlins#
170 mm	140 N/mm	48170-25

Helper spring

Length	Rate	Öhlins#
73 mm	7.5 N/mm	05173-12

Recommended installed spring package length

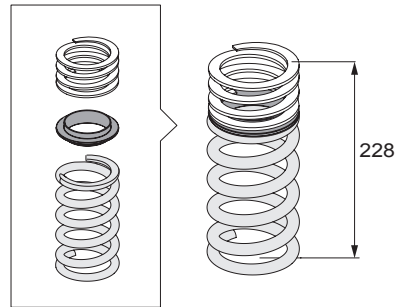
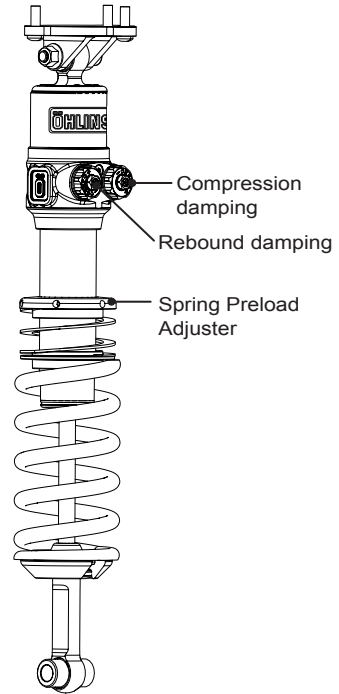
228 mm

Measure from upper edge of helper spring to lower part of main spring. Adjust the installed spring package length by turning the spring preload adjuster until desired ride height is achieved.

Depending on car model and equipment, the ride height at the recommended installed spring package length may vary.

⚠ Warning!

The adjustment range of the installed spring package length is between 220-245 mm. Never adjust the spring preload adjuster so that the installed spring package length is shorter than 220 mm or longer than 245 mm.



Öhlins products are subject to continuous improvement and development, therefore, although these instructions include the most up-to-date information available at the time of printing, minor updates may occur.

To find the latest information contact an Öhlins distributor. Please contact Öhlins if you have any questions regarding the contents in this document.

Part no. MI_MEV MX00_0
Issued 2023-06-20

© Öhlins Racing AB. All rights reserved. Any reprinting or unauthorized use without the written permission of Öhlins Racing AB is prohibited.

Öhlins Racing AB
Box 722
S-194 27 Upplands Väsby, Sweden
Phone +46 8 590 025 00
fax +46 8 590 025 80



www.ohlins.com