

Note!

Please note that this image is a general representation of the product and may differ slightly from your product.

Note!

Please note that during storage and transportation, especially at high ambient temperature, some of the oil and grease used for assembling may leak and stain the packaging. This is in no way detrimental to the product, wipe off the excessive oil/grease with a cloth.

Note!

Before installing this product, check the contents of the kit. If anything is missing, please contact an Öhlins dealer.

Kit Contents

Description	Part No	Pcs
Shock absorber	YA518	1
C-spanner	00710-02	1
Owner's manual	07421-02	1
Stickers Öhlins	01185-04	2
Stickers Öhlins	01185-01	2
Sticker Öhlins	00192-01	2

Warning!

Before installing this product, read the Öhlins Owner's Manual. The shock absorber is an important part of your vehicle and will affect the stability.

Shock Absorber for YAMAHA Crypton

YA518

Mounting Instructions

MOUNTING INSTRUCTIONS

⚠ Warning!

It is advisable to have an Öhlins dealer install the shock absorber.

⚠ Warning!

If working on a raised vehicle, ensure it is securely supported so that it will not tip over.

👁 Note!

Before mounting this product clean the vehicle thoroughly.

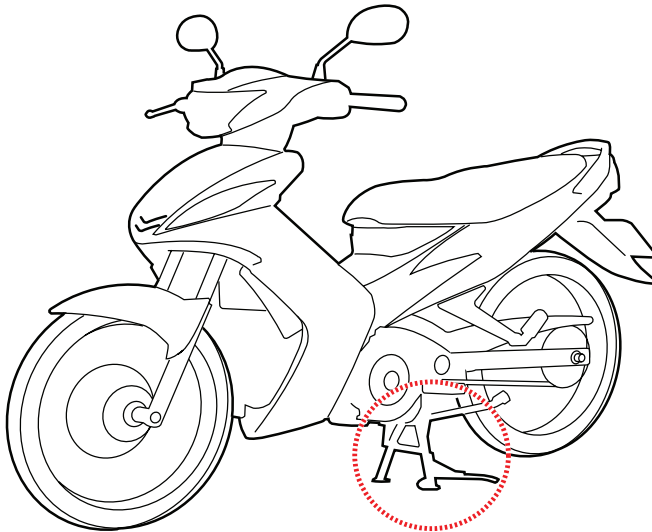
👁 Note!

When working on this product, always see the Vehicle Service Manual for vehicle specific procedures and important data.

1

Put the motorcycle on a center stand so that the rear wheel barely touch the ground. Make sure the motorcycle is in a stable position.

1

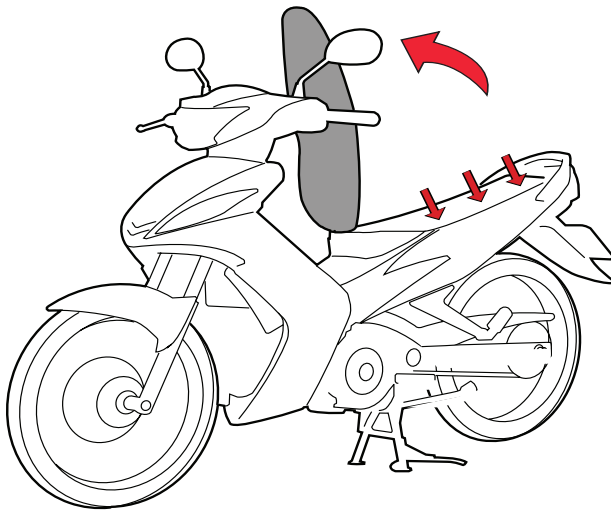


MOUNTING INSTRUCTIONS

2

Open the seat and loosen the six screws for releasing the under-seat storage.

2

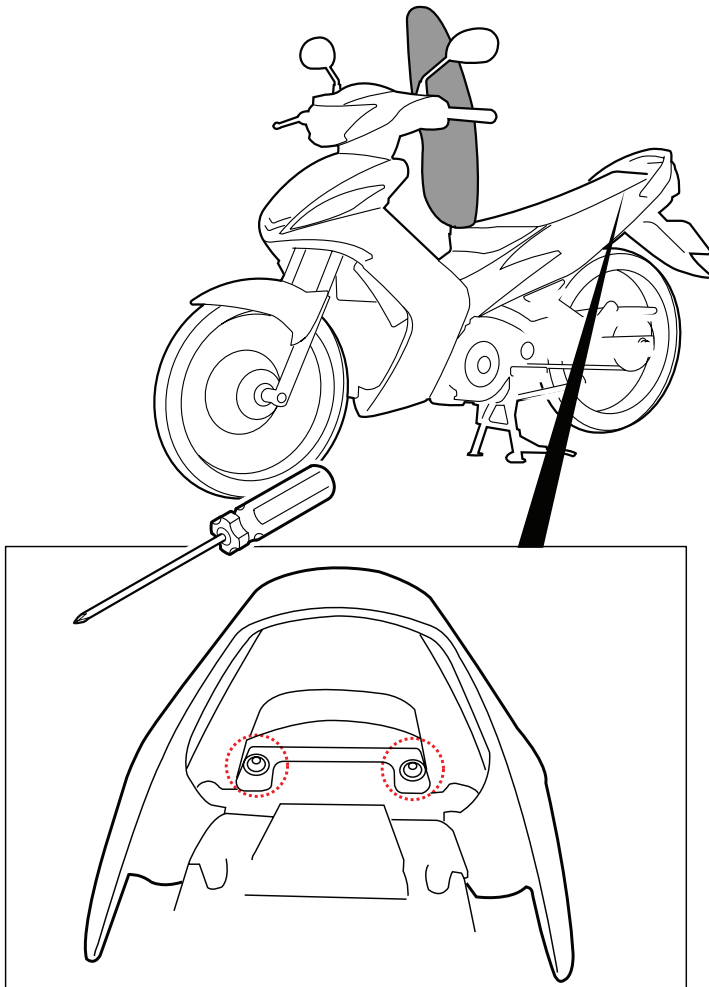


MOUNTING INSTRUCTIONS

3

Remove the rear tail lamp cowl by loosening the two screws.

3

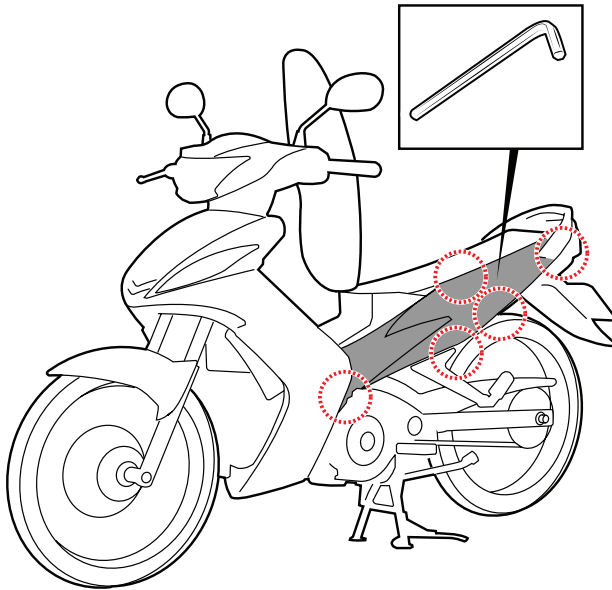


MOUNTING INSTRUCTIONS

4

Remove the fairing on the both sides by loosening the five screws.

4

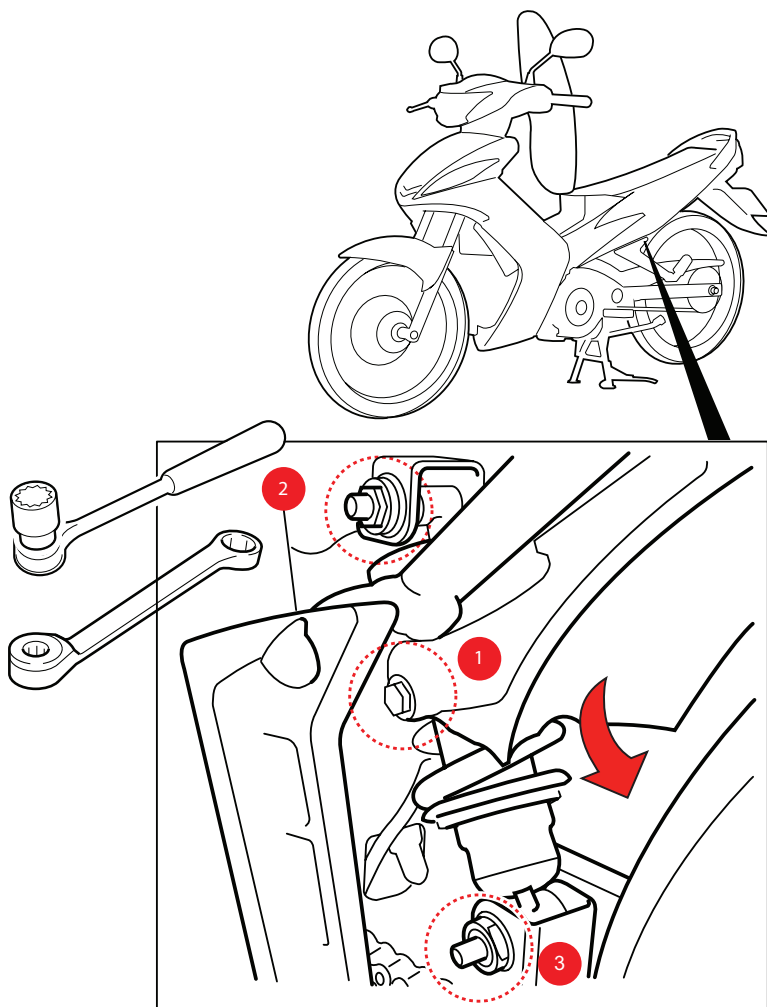


MOUNTING INSTRUCTIONS

5

Release the rear fender by loosening the two screws (1). Then remove the standard shock absorber by loosening the upper and the lower bolt (2)(3) and bending down the rear fender.

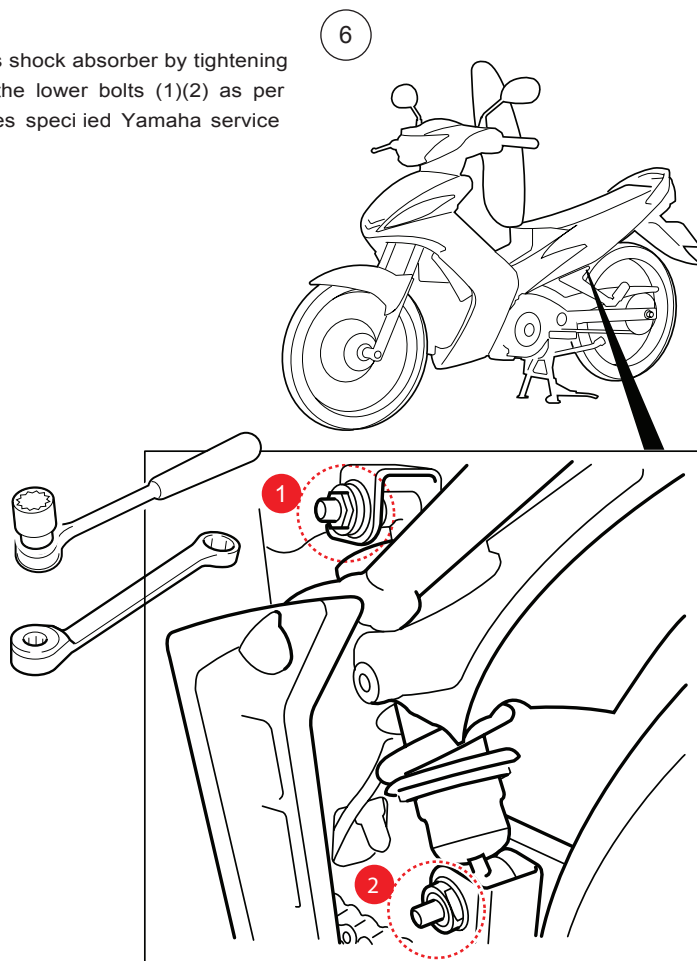
9



MOUNTING INSTRUCTIONS

6

Install the Öhlins shock absorber by tightening the upper and the lower bolts (1)(2) as per the torque values specified Yamaha service manual.



Note!

Lower the vehicle so that the suspension is slightly compressed before tightening the screws.

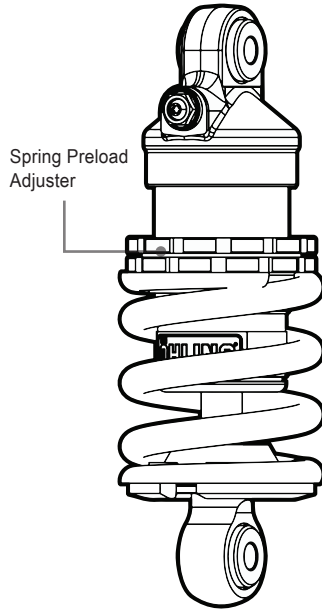
Caution!

Ensure that all screws are tightened to the correct torque and that nothing fouls or restricts movement of the shock absorber when the suspension is fully compressed or extended.

ADJUSTMENTS

Warning!

Before riding, always make sure that the basic settings made by Öhlins are according to recommended Set-up Data. Read about adjustments and setting up in the Öhlins Owner's Manual before you make any adjustments. Contact an Öhlins dealer if you have any questions about setting up.



SET-UP DATA

Recommended set-up

Spring Preload 3 mm

Shock absorber data


Length 197 mm

Stroke 29 mm

Spring

Part No 60015-91

Free spring length 85 mm

 Öhlins products are subject to continuous improvement and development, therefore, although these instructions include the most up-to-date information available at the time of printing, minor updates may occur.

To find the latest information contact an Öhlins distributor. Please contact Öhlins if you have any questions regarding the contents in this document.

Part no. MI_YA518_EN_0
Issued 2015-03-11

© Öhlins Asia Co. Ltd. All rights reserved. Any reprinting or unauthorized use without the written permission of Öhlins Racing AB is prohibited.

Öhlins Racing AB
Box 722
SE-194 27 Upplands Väsby, Sweden
Phone +46 8 590 025 00
fax +46 8 590 025 80



www.ohlins.com