

**Note!**

No springs included in this kit. Use appropriate Öhlins Front Fork springs, part no. 08765-XX. See the Spring guide in this folder or contact Öhlins for advice.

**Note!**

Please note that this image is a general representation of the product and may differ slightly from your product.

**Note!**

Please note that during storage and transportation, especially at high ambient temperature, some of the oil and grease used for assembling may leak and stain the packaging. This is in no way detrimental to the product, wipe off the excessive oil/grease with a cloth.

Kit Contents		
Description	Part No	Pcs
TTX Cartridge Kit	FGYA1893	1
TTX Cartridge sticker	00191-63	2
Sticker set Öhlins		1
Owner's manual	07296-90	1
Base plug (with o-rings)	15430-03	2
Circlip	15440-01	2
Spacer 2 mm	15443-02	10
Spacer 10 mm	15443-10	2

**Note!**

Before installing this product, check the contents of the kit. If anything is missing, please contact an Öhlins dealer.

**Warning!**

Before installing this product, read the Öhlins Owner's Manual. The shock absorber/front fork/steering damper is an important part of your vehicle and will affect the stability.

## TTX Cartridge Kit for Yamaha YZ 125/250/250F

# FGYA 1893

### Mounting Instructions



# MOUNTING INSTRUCTIONS

## SPECIAL TOOLS

<b>Tool</b>	<b>Part no</b>	<b>Size</b>
OEM Fork cap tool, octagon		49 mm
Öhlins Fork cap tool, octagon		50 mm

# MOUNTING INSTRUCTIONS

## Remove the original fork legs

### ⚠ Warning!

We strongly recommend to let an Öhlins dealer install this product.

### ⚠ Warning!

If you work with a lifted vehicle, make sure that it is safely supported to prevent it from tipping over.

### 👁 Note!

When you work with this product, see the vehicle service manual for vehicle specific procedures and important data.

### 👁 Note!

Before you install this product clean the vehicle.

**1**  
Place the motorcycle on a work stand so that the front wheel barely touches the ground.

**2**  
Remove the front wheel, plastic fork leg protectors and the brake caliper.

**3**  
Measure the distance from the top of the fork leg to the top of the upper triple clamp, see figure.

### Note measure

Fork height position	
----------------------	--

**4**  
Loosen the upper triple clamp screws.

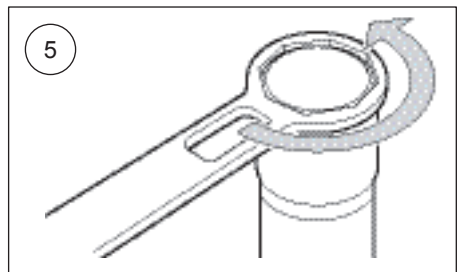
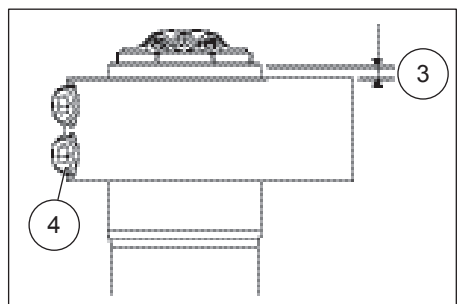
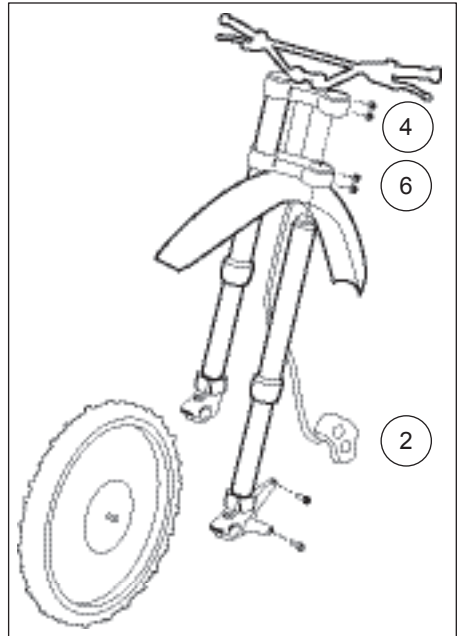
**5**  
Loosen the top cap ½ turn. Use an OEM Fork cap tool.

**6**  
Loosen the lower triple clamp screws.

**7**  
Remove the fork legs from the vehicle.

**8**  
Clean the fork legs, make sure to clean underneath the fork bottom.

**9**  
Refer to the vehicle service manual to remove the original front fork and spring from the fork leg. Turn the fork legs upside down and pour out all oil.



# MOUNTING INSTRUCTIONS

## Install the Öhlins cartridge kit

### **Note!**

Standard OEM hydraulic stop cup is used together with the Öhlins cartridge kit.

### **10**

Use contact cleaner to clean the contact surfaces between the OEM hydraulic stop cup and the fork bottom.

Insert the OEM hydraulic stop cup in the original fork leg, insert from the upper end of the fork tube.

### **Caution!**

Make sure that the hydraulic stop cup is in correct position before you tighten.

### **11**

Install and tighten the base plug into the fork bottom, tighten to 45 Nm.

### **Caution!**

If the hydraulic stop cup rotates when you install and tighten, carefully use an impact machine.

### **12**

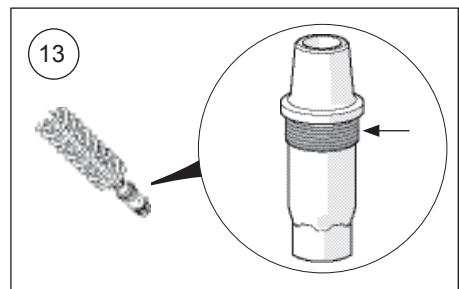
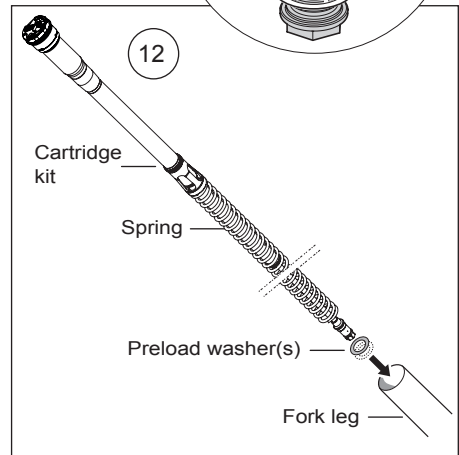
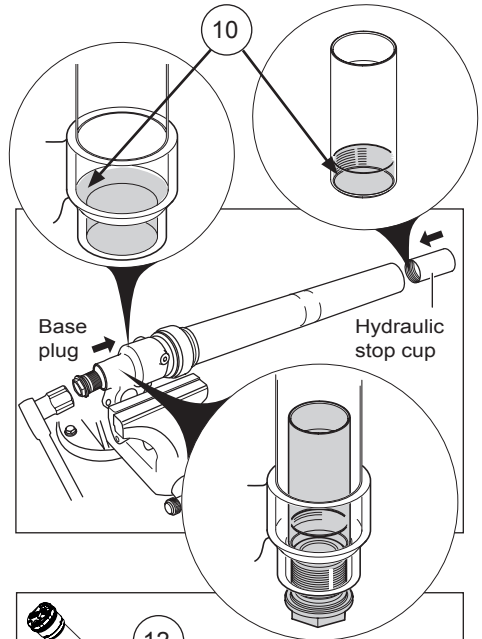
Insert, if any, the preload washer/s, recommended spring and the cartridge kit into the original fork leg.

### **Note!**

Place the preload washer/s below the spring, at the bottom end of the fork leg.

### **13**

Apply grease on the thread of the piston rod end.



# MOUNTING INSTRUCTIONS

## 14

Use a 12 mm socket to tighten the cartridge shaft end into the base plug, turn counter clockwise and tighten to maximum 18 Nm. *Do not over tighten.*

## 15

Install the security snap-ring at the shaft end groove.

## 16

Pour Öhlins Front fork fluid in the fork leg, refer to the recommended setup in Setup data.

## 17

Make sure that the front fork is fully extended. Use to tighten the Öhlins fork top cap to maximum 10 Nm.

## 18

Check and set the rebound and compression valves click positions, refer to the recommended setup in Setup data.

## 19

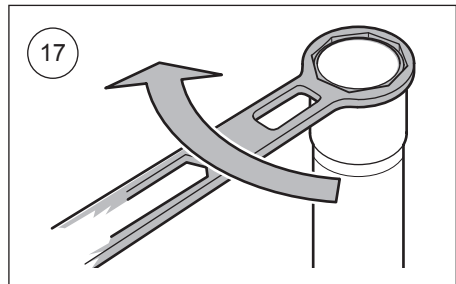
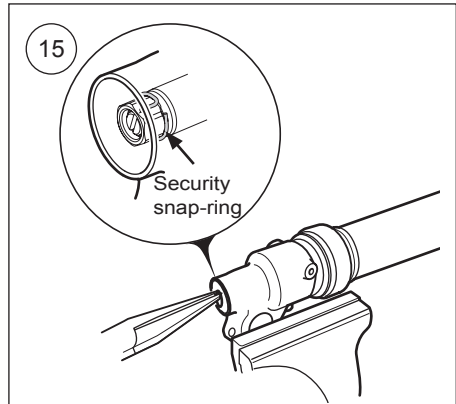
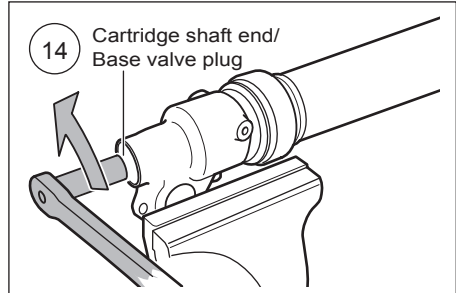
Install the front fork legs into the triple clamps. Set the fork legs at the same height position as before. Refer to the vehicle service manual for correct tightening torque.

## 20

Install the brake caliper and the front wheel. Make sure that all removed parts are installed in the same positions that they were before.

### 👁 **Note!**

*It is very important to tighten the triple clamps to the correct torque, refer to the vehicle service manual.*



# SETUP DATA

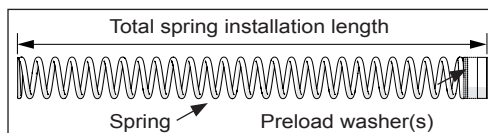
Rebound damping	14	clicks
Compression damping	14	clicks
Spring preload*	10	mm
Total spring installation length	481	mm

Fluid volume (each leg) 125	0,340	litre
Fluid volume (each leg) 250	0,360	litre
Fluid volume (each leg) 450	0,380	litre
Fluid volume range	0,300-0,400 litre	
Öhlins front fork fluid	01330-XX	

Recommended preload range:												
Over all spring rate [N/mm]	4,1	4,2	4,3	4,4	4,5	4,6	4,7	4,8	4,9	5,0	5,1	5,2
Rec. preload range [mm]	8-13	8-13	8-12	8-12	8-12	8-12	8-11	8-11	7-11	7-11	7-11	7-11

Adjust by adding/removing preload washer(s) 15443-XX.

\*To achieve specified spring preload the total spring installation length can be controlled prior installation into fork leg. See model specific length in setup data.



# SPRING GUIDE

FGYA 1893									
kg/pound *	125			250 2-stroke			250F		
	Low	Mid	High	Low	Mid	High	Low	Mid	High
60/132	4,1	4,2	4,3	4,3	4,4	4,5	4,3	4,4	4,5
65/143	4,2	4,3	4,4	4,4	4,5	4,6	4,4	4,5	4,6
70/154	4,2	4,3	4,4	4,4	4,5	4,6	4,4	4,5	4,6
75/165	4,3	4,4	4,5	4,5	4,6	4,7	4,5	4,6	4,7
80/176	4,3	4,4	4,5	4,5	4,6	4,7	4,5	4,6	4,7
85/187	4,4	4,5	4,6	4,6	4,7	4,8	4,6	4,7	4,8
90/198	4,4	4,5	4,6	4,6	4,7	4,8	4,6	4,7	4,8
95/209	4,4	4,5	4,6	4,6	4,7	4,8	4,6	4,7	4,8
100/220	4,5	4,6	4,7	4,7	4,8	4,9	4,7	4,8	4,9
105/231	4,5	4,6	4,7	4,7	4,8	4,9	4,7	4,8	4,9
110/242	4,6	4,7	4,8	4,8	4,9	5,0	4,8	4,9	5,0
115/253	4,6	4,7	4,8	4,8	4,9	5,0	4,8	4,9	5,0
120/264	4,7	4,8	4,9	4,9	5,0	5,1	4,9	5,0	5,1
125/275	4,9	5,0	5,1	5,1	5,2	5,3	5,1	5,2	5,3

Available spring rates

08765-series:

-39, -41, -43, -45, -47, -49, -51, -53

To get spring rates between the available rates, combine two springs with different rates. One with a lower and one with a higher spring rate. Example: To get spring rate 4,6: Use spring with 4,5 in one fork leg and 4,7 in the other fork leg.

*\*Rider's weight: Rider wearing proper riding gear. Make sure you know your total weight with riding gear. Riding gear weighs between 5 and 15 kg.*

Öhlins products are subject to continuous improvement and development, therefore, although these instructions include the most up-to-date information available at the time of printing, minor updates may occur.

To find the latest information contact an Öhlins distributor. Please contact Öhlins if you have any questions regarding the contents in this document.

Part no. MI\_FGYA1893\_0  
Issued 2017-08-22

© Öhlins Racing AB. All rights reserved. Any reprinting or unauthorized use without the written permission of Öhlins Racing AB is prohibited.

Öhlins Racing AB  
Box 722  
S-194 27 Upplands Väsby, Sweden  
Phone +46 8 590 025 00  
fax +46 8 590 025 80



[www.ohlins.com](http://www.ohlins.com)